

Model 72

High Performance, High Flow Pump



The Model 72 is a multi-purpose high flow pump equipped with three phase or variable speed motor.

Features

- This high performance, high flow pump comes complete with our unique mechanical shaft seal that allows the pump, if mistreated, to run dry for up to one hour.
- The pump can be used for pool water with a salt concentration of up to 5000 ppm.
- Non-corrosive, chemical/UV resistant, and can withstand temperatures of up to 175°F.
- The Model 72 is available with the following motor options:
 - Single Speed, Three Phase (1.5 to 3.0 HP)
 - Variable Speed, Single Phase (2.7 THP)
- Suction and discharge are equipped with 2" or 3" quick disconnect unions for easy installation and maintenance.
- Lock ring that incorporates handles. These handles provide the user with a convenient way to easily remove the lid.
- Motor is easy to remove without disturbing the plumbing. Reusable o-rings throughout.
- Every pump is performance tested before leaving the Speck factory.



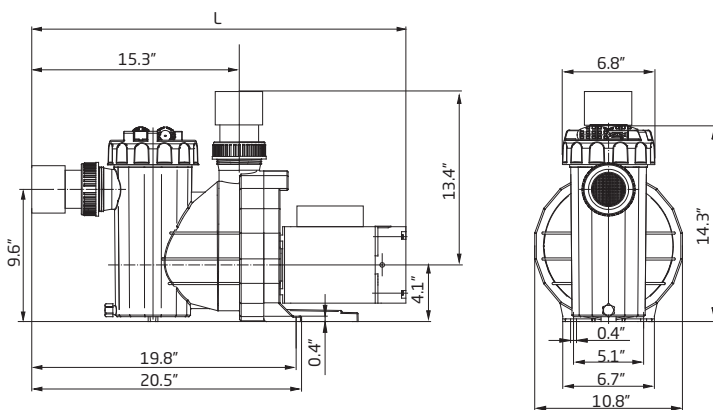
Model 72-IV

Trademarks and Certifications



Variable Speed Models are UL Listed

Dimensional Drawing



MODEL	DIMENSION "L"	SHIPPING WEIGHT
72-IV	29.0"	52 lbs.
72-V	29.0"	55 lbs.
72-VI	29.5"	56 lbs.

Performance Curves

