

Model 95

Commercial Pool Pump

SPECK 
pumps

Wondering which way to go on your next commercial job? Check out our Model 95. With lightning fast priming, simple unionized fittings, and durable TEFC motors, 95's make short work of light commercial jobs.

- 4" Unionized Fittings for Maximum Flow
- 4.0, 5.0, 7.5 & 10 HP
- 2 year warranty



Model 95-IX



WE BRING **WATER** TO LIFE!®

8125 Bayberry Road
Jacksonville, FL 32256 USA
info.usa@speck-pumps.com

Toll Free 800.223.8538
Telephone 904.739.2626
usa.speck-pumps.com

MODEL 95

High Performance

Plastic Commercial Pool Pump



Features

- Large one-piece housing design with integrated strainer basket for faster pump priming.
- This high performance pump comes complete with a Cyclam 20mm seal that allows the pump, if mistreated, to run dry for up to one hour.
- The pump can be used for pool water with a salt concentration of up to 5000 ppm.
- Equipped with 4" quick disconnect unions for easy installation and maintenance. A wrench for unions and lid is included with each pump. Flanges are available on request.
- Available with heavy duty, energy efficient, totally enclosed fan cooled (TEFC) or Open Drip Proof (ODP) motor designs.
- Compatible with many manufactured VFD's.
- Two year warranty on the motor and all pump parts, including normal wear of the mechanical seal.
- Every pump is performance tested before leaving the Speck factory.

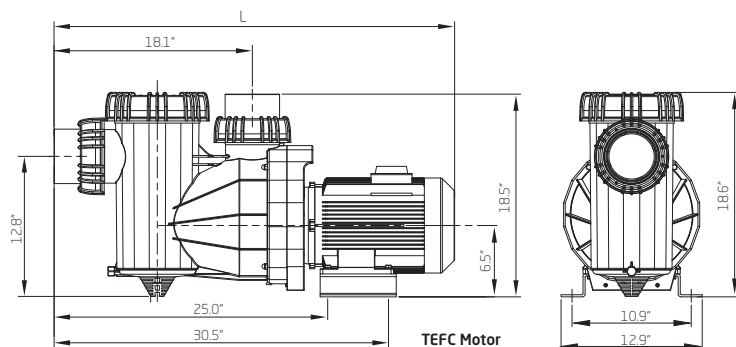


Model 95-X (w/ TEFC Motor)

Trademarks and Certification

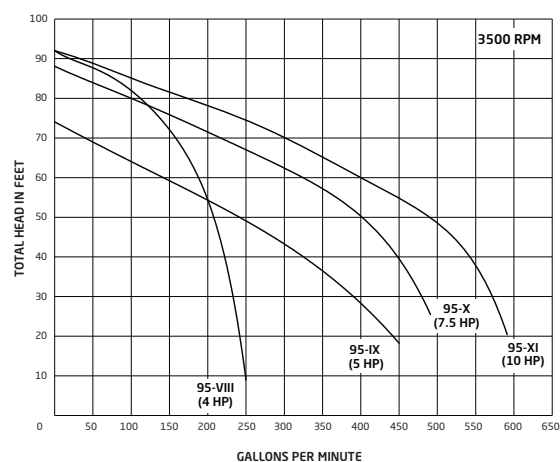


Dimensional Drawing



For Model 95-VIII dimensional drawing, please call Speck Customer Service (800) 223-8538

Performance Curves



Technical Data

ORDER #	MODEL	HP	S.F.	THP	AMPS	VOLTS	PHASE	MOTOR	DIMENSION "L"
IG274-1500M-000	95-VIII	4.0	1.25	5.0	21.0-19.4	208-230	1 PH	ODP	36.5"
IG273-1500M-000	95-VIII	4.0	1.25	5.0	13.7-13.0/6.5	208-230/460	3 PH	TEFC	36.5"
IG274-1500F-000	95-IX	5.0	1.15	5.75	24.9-23.0	208-230	1 PH	TEFC	36.5"
IG273-1500F-000	95-IX	5.0	1.15	5.75	15.0-14.5/7.5	208-230/460	3 PH	TEFC	35.0"
IG274-1750F-000	95-X	7.5	1.15	8.625	34.0-31.7	208-230	1 PH	TEFC	36.5"
IG273-1750F-000	95-X	7.5	1.15	8.625	19.0-18.0/8.9	208-230/460	3 PH	TEFC	35.0"
IG273-1100F-000	95-XI	10.0	1.13	11.3	25.6-23.8/11.9	208-230/460	3 PH	TEFC	36.0"

NOTE: The Model 95-VIII single phase is thermally protected. All other models require a motor starter.