

OWNER'S MANUAL

Jetted Bathtub Pump

SPECK 
pumps

READ THIS MANUAL CAREFULLY BEFORE USING THE SPECK PUMP

Important Notice: This manual contains important information about the installation, operation and safe use of this product. This information should be given to the owner and/or operator of this equipment.

WARNING: *This product must be installed and serviced by a qualified pool professional, and must conform to all national, state, and local codes.*

WARNING: *Before installing this product, read and follow all warning notices and instructions which are included. Failure to follow safety warnings and instructions can result in severe injury, death, or property damage. Call (800) 223-8538 or visit www.usa.speck-pumps.com for additional copies of these instructions.*

IMPORTANT SAFETY INSTRUCTIONS

When installing and using this electrical equipment, basic safety precautions should always be followed, including the following:

1. READ AND FOLLOW ALL INSTRUCTIONS.

2. WARNING - To reduce the risk of injury, do not permit children to use this product unless they are closely supervised at all times.

3. WARNING - Risk of Electrical Shock. Connect only to a branch circuit protected by a ground-fault circuit interrupter (GFCI). Contact a qualified electrician if you cannot verify that a circuit is protected by a GFCI.

4. WARNING - To reduce the risk of electric shock, replace any damaged cord immediately.

5. DO NOT install within an outer enclosure or beneath the skirt of a hot tub or spa.

6. CAUTION - This pump is for use with permanently-installed pools and may also be used with hot tubs and spas if so marked. Do not use with storable pools. A permanently-installed pool is constructed in or on the ground or in a building such that it cannot be readily disassembled for storage. A storable pool is constructed so that it is capable of being readily disassembled for storage and reassembled to its original integrity.

7. The unit must be connected only to a supply circuit that is protected by a ground-fault circuit-interrupter (GFCI). Such a GFCI should be provided by the installer and should be tested on a routine basis. To test the GFCI, push the test button. The GFCI should interrupt power. Push the reset button. Power should be restored. If the GFCI fails to operate in this manner, the GFCI is defective. If the GFCI interrupts power to the pump without the test button being pushed, a ground current is flowing, indicating the possibility of an electric shock. Do not use this pump. Disconnect the pump and have the problem corrected by a qualified service representative before using.

8. TO REDUCE RISK OF ELECTRICAL SHOCK, A copper bonding connector (8 AWG) is provided for bonding the motor to all metal parts of the swimming pool, spa, or hot tub structure and to all electrical equipment, metal conduit, and metal piping within 5 feet of the inside walls of a swimming pool, spa, or hot tub, when the motor is installed within 5 feet of the inside walls of the swimming pool, spa, or hot tub.

NOTE: To installer and/or operator of the Speck Swimming Pool Pump; the manufacturer's warranty will be voided if the pump is improperly installed and/or operated.

9. SAVE THESE INSTRUCTIONS!

SECTION 1 EQUIPMENT OPERATION AND MAINTENANCE

1/1 LOCATION

1. Locate the pump as close to the spa/tub as practical. Consult local codes for minimum distance between spa/tub and pump.

2. The piping should be as direct and free from turns or bends as possible, as elbows and other fittings greatly increase friction losses.

3. Place pump on a solid foundation which provides a rigid and vibration-free support so that it is readily accessible for service and maintenance.

4. Though the pump is designed for outdoor use, it is advised to protect the pump from continuous direct heat. Install the pump in a well ventilated location protected from excessive moisture (flooding, sprinklers, rain downspouts, etc.).

5. Protect the pump against flooding and excess moisture, prevent foreign objects from clogging air circulation around motor. All motors generate heat that must be removed by providing proper ventilation.

6. **DO NOT** store or use gasoline or other flammable vapors or liquids in the vicinity of this pump. **DO NOT** store chemicals near the pump.

7. **DO NOT** remove any safety alert labels such as **DANGER**, **WARNING**, or **CAUTION**. Keep safety labels in good condition and replace missing or damaged labels.

8. Provide access for future services by leaving a clear area around the pump. Allow plenty of space above the pump to remove lid and basket for cleaning.

1/2 INSTALLATION

1. When connecting pipework to pumps with threaded ports, it is recommended that thread seal tape be used. If the suction pipe is not sealed correctly, the pump will not prime properly and will pump small volumes of water or none at all.

2. When installing the pump, care should be taken to see that the suction line is below water level.

3. Suction and discharge line should be independently supported at a point near the pump to avoid strains being placed on the pump.

4. It is advisable to install a valve in both the suction and discharge line in the event that the pump must be removed for servicing.

5. When installing and using the motor, basic safety precautions should be followed. The wiring of the motor should be done by a licensed electrician in accordance with local codes. Be certain that the motor frame is grounded. Motor name plate has voltage, phase, ampere draw and other motor information as well as wiring connection instructions.

BONDING: As required by National Electrical Code Article 680-26, the pump motor must be electrically bonded to the spa structure (reinforced bars, etc.) by a solid copper conductor not smaller than #8 AWG (8.4 mm²) wire via the external copper bonding lug on the pump motor.

GROUNDING: Permanently ground the pump motor using a conductor of appropriate size. Connect to the #10 green headed ground screw provided inside the motor terminal box.

NOTE: **DO NOT** connect to electric power supply until the unit is permanently grounded.

1/3 MAINTENANCE

WARNING: *Always disconnect power to the pool pump at the circuit breaker before servicing the pump. Failure to do so could result in death or serious injury to serviceman, pool users, or others due to electric shock.*

The pump requires little or no service other than reasonable care. The mechanical seal may become worn and/or loose during the course of time, depending on the running time and water quality. If water continually leaks out, a new mechanical seal should be fitted. After long periods of NON operational use (seasonal storage, etc.), the pump must be checked for ease of rotation while it is switched off.

NOTE: *It is normal for a few drops of water to escape from the mechanical seal from time to time. This is especially true during the break-in period.*

WARNING: *Before servicing the pump, switch off the circuit breakers at the power source. Severe personal injury or death may occur if the pump starts while your hand is inside the pump.*

To Replace the Mechanical Seal

To replace the mechanical seal, remove the eight (8) screws holding the casing to the casing lid. Separate the motor unit from the casing lid. Remove impeller by turning it counter-clockwise when facing it, while holding the motor shaft with a wrench or screw driver at rear end of motor. Pull pump impeller from shaft and slide seal from impeller shaft. To re-assemble, reverse the process

SECTION 1 EQUIPMENT OPERATION AND MAINTENANCE - continued

1/3 MAINTENANCE - continued

NOTE: Make sure both parts of the mechanical seal (ceramic and spring portion) are clean. Gently wipe polished faces with soft and dry cotton cloth. Surfaces can easily be damaged by dirt and scratching. Only water should be used as lubricant to mouth both parts of the mechanical seal.

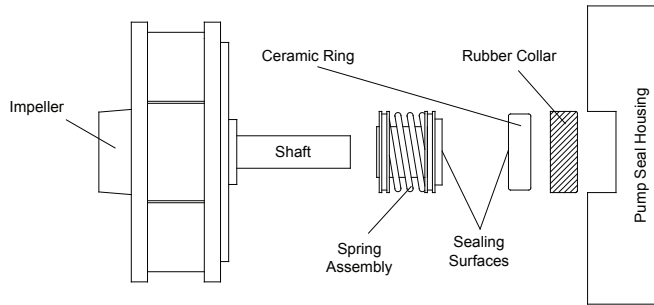


Figure 15

1/4 WINTERIZING - continued

Drain all the water from the pump, system equipment, and piping. Remove the pump and motor from the plumbing and store indoors in a warm and dry location.

NOTE: When the winter season is over the pump will need to be checked and primed prior to start.

CAUTION: DO NOT run the pump dry. If the pump is run dry, the mechanical seal will be damaged and the pump will start to leak at the seal. If this occurs, the mechanical seal will need to be replaced. **ALWAYS** maintain the proper water level in your pool. Continued operation in this manner could cause a loss of pressure, resulting in damage to the pump casing, impeller, and mechanical seal.

1/4 WINTERIZING

CAUTION: The pump must be protected when freezing temperatures are expected. Allowing the pump to freeze will cause severe damage and void the warranty.

SECTION 2 TROUBLESHOOTING GUIDE

PROBLEM	POSSIBLE CAUSES	SOLUTION
1. Pump will not prime.	a. Suction air leak. b. Closed valves or blocked lines. c. Low voltage to motor.	Tighten all pipes and fittings on suction side of the pump. Open all valves in system. Open pump and check for clogging of impeller. Check voltage at motor. If low, pump will not come up to speed.
2. Motor does not turn.	a. No power to motor. b. Pump jammed.	Check that all power switches are on. Be sure fuse or circuit breaker is properly set. Time set properly? Check motor wiring at terminals. With power off, turn shaft. It should spin freely. If not, disassemble and repair.
3. Low Flow.	a. Dirty filter. b. Closed valves or blocked lines. c. Suction air leak.	Back wash filter when filter pressure is high, or clean cartridges. See problem 1. See problem 1.

SECTION 2 TROUBLESHOOTING GUIDE - continued

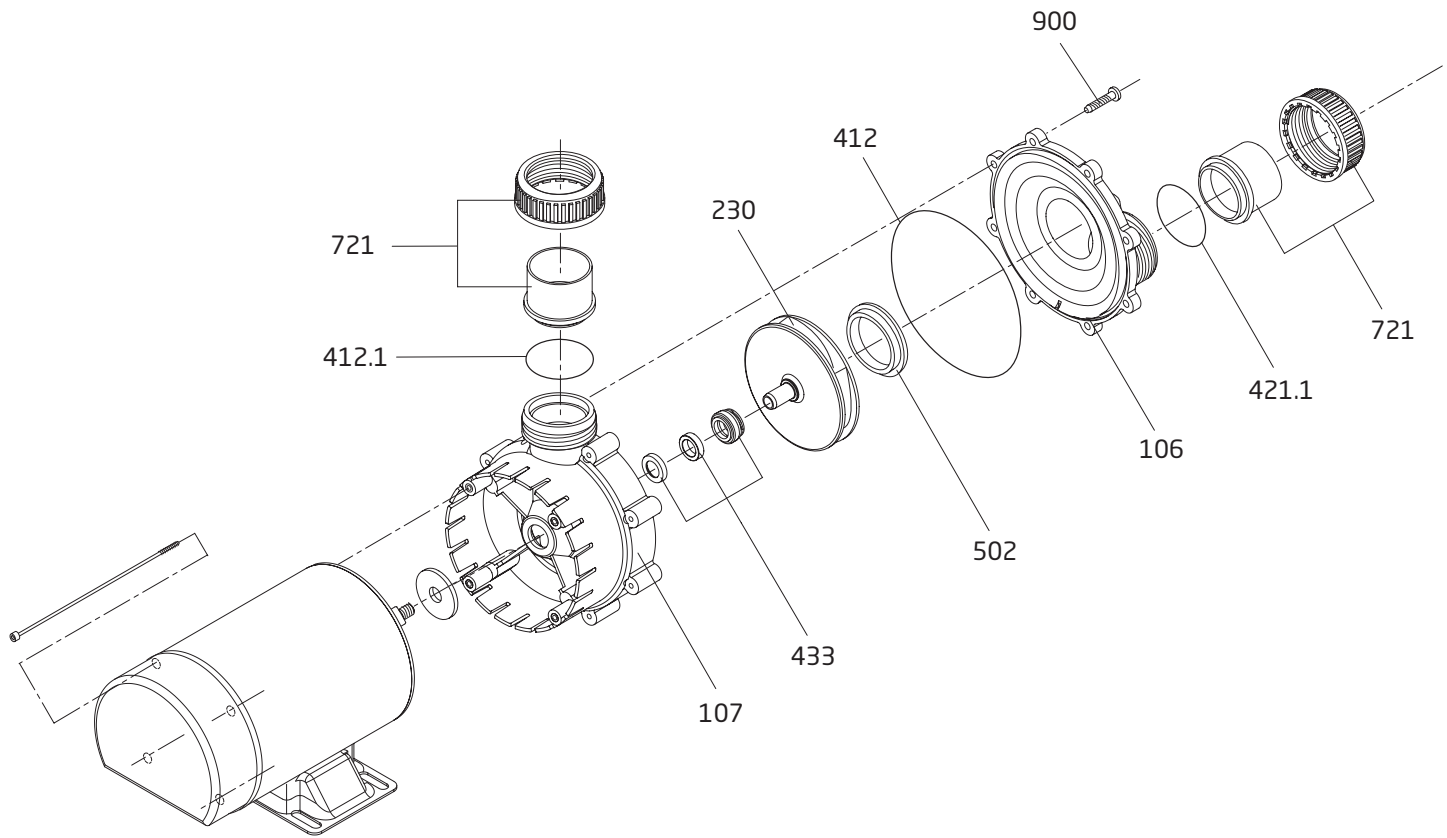
PROBLEM	POSSIBLE CAUSES	SOLUTION
4. Noisy operation of motor.	a. Bad bearings.	Noise when shaft is turned up by hand. Motor is hot in bearing area when running. Replace bearing.
5. Motor runs hot.	These motors will run hot to the touch, however, this is normal. They are designed that way. Thermal overload protector will function to turn them off if there is an overload or high temperature problem. Excessive heat can be cause by: a. Low voltage. b. Installed in direct sun. c. Poor ventilation.	Increase size of electrical wire. Be sure motor is operating on correct voltage. Shield motor from sun's rays. <i>DO NOT</i> tighten cover or enclosure motor.
6. Noisy operation of pump.	a. Air leak in suction line. Bubbles in water returning to spa/tub at inlet. b. Restricted suction line due to blockage or under size pipe. Indicated by high vacuum reading at pump suction. c. Foreign matter (gravel, metal, etc.) in pump impeller. d. Cavitation.	Repair leak. Check suction pipe. Remove blockage or increase suction pipe size. Are all suction valves fully open? Disassemble pump and remove foreign matter from impeller. Improve suction conditions. (Reduce suction life, reduce number of fittings, increase pipe size.) Increase discharge pressure and reduce flow by throttling discharge valve.
7. Motor overload protection "kicks out".	a. Motor is not connected properly. b. Low voltage due to under size wire or low incoming voltage. c. Wrong size breakers in protective device. d. Overload due to binding in pump or wrong size impeller.	Check wiring diagram on motor. Check with volt meter. Increase size of supply wire. Reports low supply voltage to power company. Voltage at motor must be within 10% of motor nameplate voltage. Breakers should be one size larger than full load amps shown on motor nameplate. Indicated by high amperage readings on motor, binding shaft. Disassemble unit and correct.

SECTION 3 SERVICING INFORMATION

When calling the manufacturer regarding a question or problem with your pump, please have the serial number available. The serial number is located on the pump either on the flange or motor labels.

Replacement parts may be available from your installer. Call, fax, or write: Speck Pumps at 8125 Bayberry Road, Jacksonville, Florida 32256 Phone: (904) 739-2626 Fax: (904) 737-5261, e-mail: info.usa@speck-pumps.com

SECTION 4 PARTS AND EXPLODED VIEW



Order #	Drawing Number	Qty Required	Description
2901141200	412	1	O-RING, CASING LID 144 x 4mm
2921606204	433	1	MECHANICAL SEAL (5/8") - CARBON/CERAMIC
2920710751	107	1	CASING
2920750200	502	1	FLOATING EYE SEAL (WEAR RING)
2920710600	106	1	CASING LID
2920241220	421.1	2	O-RING, 50 x 3mm
2500310001	721	2	NUT - UNION (SAWTOOTH)
2921672130	721.1	2	UNION END 48.5mm - (1-1.5") SLIP
5879006035	900	8	SELF TAPPING SCREW 6 x 35mm PH SS
2921923091	230	1	IMPELLER (-I) 0.75 THP (1.0 HP SPL) 99 / 4.5mm
2921923042	230	1	IMPELLER (-II) 1.0 THP (1.5 HP SPL) 98 / 9mm
2921923093	230	1	IMPELLER (-III) 1.5 THP (2.0 HP SPL) 106 / 9mm
2500300916	NOT SHOWN	1	UNION PACKAGE COMPLETE 1.5"
2500300910	NOT SHOWN	2	UNION HALF PACKAGE 1.5"

REPLACEMENT MOTORS

Order #	MFR #	Model	THP	Specially Rated		Volts
				HP	S.F.	
<i>SINGLE SPEED, 48 FRAME, SPLITPHASE MOTOR</i>						
0818688300	EZBN24	-I	0.75	1.0	SPL	115
0818688400	EZBN25	-II	1.0	1.5	SPL	115
0818688600	(EZ)BN35SS	-III	1.5	2.0	SPL	230
<i>TWO SPEED, FLEX-48, 48 FRAME, CAP START MOTOR</i>						
0815996300	BN36	-I	0.75	1.0	SPL	115
0817778200	BN37	-II	1.0	1.5	SPL	115
0817780300	BN50	-III	1.5	2.0	SPL	115

All motors have a 3/8" thread stainless steel shaft

SECTION 4 LIMITED WARRANTY

LIMITED WARRANTY: Speck Pumps grants solely to Buyer for a limited period of ninety (90) days from the date of shipment the following non-transferable limited warranty ("Limited Warranty"): that the goods shipped under the invoice attached to these Terms and Conditions will be free of material defects in manufacture under normal use. **IN THE EVENT OF A BREACH OF THE LIMITED WARRANTY. SPECK PUMPS-POOL PRODUCTS, INC. ENTIRE OBLIGATION AND LIABILITY TO BUYER, AND BUYER'S SOLE AND EXCLUSIVE REMEDY SHALL BE AS FOLLOWS:** Speck Pumps-Pool Products, Inc. will, at its option, repair or replace any such defective goods, or refund to Buyer the purchase price paid for such defective goods. The foregoing Limited Warranty is expressly conditioned upon the following: (aa) Buyer giving notice of the claim within the Limited Warranty Period: (bb) the goods were installed by a pool industry professional and/or a licensed electrician; (cc) the goods have not been abused, misused, or modified and were operated in accordance with Speck Pumps-Pool Products, Inc.'s instructions and operator/maintenance manuals delivered with the goods. **SPECK PUMPS-POOL PRODUCTS, INC. EXPRESSLY DISCLAIMS AND THE LIMITED WARRANTY DOES NOT INCLUDE OR COVER ANY LABOR PERFORMED IN CONNECTION WITH REMOVAL, REPLACEMENT OR INSTALLATION OF REPAIRED OR REPLACED PARTS OR FOR ANY OTHER COSTS, EXPENSES OR INJURIES OR DAMAGES TO PERSONS (INCLUDING DEATH) OR TO PROPERTY OR THINGS INCLUDING BUT NOT LIMITED TO THOSE ARISING FROM LOSS OF PROFITS, PRODUCTION, INCREASED COST OF OPERATION, OR SPOILAGE OF MATERIAL ARISING IN CONNECTION WITH THE SALE OR USE OF, OR INABILITY TO USE ANY GOODS. OTHER THAN THE LIMITED WARRANTY EXPRESSLY SET FORTH IN THIS SECTION. SPECK PUMPS-POOL PRODUCTS, INC. DOES NOT MAKE ANY EXPRESS OR IMPLIED WARRANTIES, CONDITIONS, OR REPRESENTATIONS TO BUYER OR ANY OTHER PARTY WITH RESPECT TO ANY GOODS OR SERVICES PROVIDED HEREUNDER OR OTHERWISE REGARDING THIS AGREEMENT, WHETHER ORAL OR WRITTEN, EXPRESS, IMPLIED OR STATUTORY. WITHOUT LIMITING THE FOREGOING, ANY IMPLIED WARRANTY OR CONDITION OR MERCHANTABILITY, THE IMPLIED WARRANTY AGAINST INFRINGEMENT, AND THE IMPLIED WARRANTY OR CONDITION OF FITNESS FOR A PARTICULAR PURPOSE ARE EXPRESSLY EXCLUDED AND DISCLAIMED.**

EXTENDED WARRANTY: Speck Pumps may provide extended warranty coverage. To determine eligibility, duration details, and other specifics please refer to the warranty coverage section within the products' literature. To obtain product literature visit www.usa.speck-pumps.com or call (904) 739-2626.

TO OBTAIN AN EXTENDED WARRANTY: To receive a product extended warranty (longer than 90 days from the original date of installation) the customer must complete the three steps below within 90 days of installation:

- (1) Register their product. (either via online at www.usa.speck-pumps.com/register or by mail.)
- (2) Provide a copy of the sales receipt.
- (3) Provide the pool professional's invoice, cord units are exempted. (**see comment below*)

**Any Pump purchased online is not eligible for an extended warranty. Only products purchased through a pool service company, a pool builder, or a pool store AND installed by a pool professional along with a licensed electrician are eligible for extended warranties.*

EXTENDED WARRANTY COVERAGE: Speck Pumps-Pool Products, Inc. grants solely to the original consumer purchaser ("Buyer") of the pump and motor the following personal, non-transferable and limited warranty on the following terms and conditions (the "Limited Warranty"): the pump and motor is warranted to be free of material defects in materials or workmanship under normal use for a period of two (2) year beginning on the date of the Buyer's purchase of the pump and motor. Notwithstanding any provisions herein to the contrary, the warranties and obligations hereunder shall not in any event extend for more than three (3) years beyond the date of shipment of the pump and motor from the factory (the "Limited Warranty Period"). The Limited Warranty is subject to each of the following additional terms and conditions:

1. IN THE EVENT OF ANY BREACH OF THE LIMITED WARRANTY, SPECK PUMPS - POOL PRODUCTS, INC.'S ENTIRE OBLIGATION AND LIABILITY TO BUYER, AND BUYER'S SOLE AND EXCLUSIVE REMEDY SHALL BE AS FOLLOWS: Speck Pumps - Pool Products, Inc. will, at its option, either repair or replace the pump and motor or refund to Buyer the purchase price actually paid by Buyer for the pump and motor subject to the Limited Warranty. Speck Pumps - Pool Products, Inc. shall have no obligations under the Limited Warranty unless Buyer delivers timely written notice to Speck Pumps - Pool Products, Inc. of the Limited Warranty claim within the Limited Warranty Period and returns the pump and motor to Speck Pumps - Pool Products, Inc. if requested. To the fullest extent permitted by law, Speck Pumps - Pool Products, Inc. expressly disclaims any liability for, and the Limited Warranty does not include or cover, any labor, costs or other expenses in connection with the removal, transportation, shipment, insurance, replacement, repair, or installation of repaired or replaced parts or for any other costs or expenses or damages to property or things including, but not limited to, those arising in connection with the use of, or inability to use, the pump and motor.

2. To the fullest extent permitted by law, the Limited Warranty will be void and of no force or effect and Speck Pumps - Pool Products, Inc. will have no liability, responsibilities or obligations to Buyer or with respect to the pump and motor in the event of the occurrence of any one or more of the following:

- (a) Any damage to the pump and motor caused by Buyer, any third party, ground movement, other natural forces, acts of God or any other sources or causes not arising from a breach of the Limited Warranty, excluding ordinary wear and tear;
- (b) Any replacement, modification, alteration or repair of any parts or components of the pump and motor by anyone other than Speck Pumps - Pool Products, Inc.

SECTION 4 LIMITED WARRANTY - continued

- (c) Any abuse, misuse, accident, tampering with, improper installation or modification of the pump and motor or any other actions, inactions or failures to act that violate the terms and conditions of this Limited Warranty;
 - (d) Buyer's failure or inability to present an invoice, bill, receipt or other documentation clearly evidencing that the pump and motor was installed and maintained in strict compliance with this Limited Warranty and that the claim was timely submitted within the Limited Warranty Period; and/or
 - (e) Buyer's failure to comply with the conditions and contingencies set forth in paragraph 3 below.
3. The Limited Warranty is expressly conditioned and contingent upon Buyer's strict compliance with each of the following:
- (a) Installation of the pump and motor by an experienced and qualified pool industry professional and a licensed electrician who is licensed within the jurisdiction in which the pump and motor is installed and will be used; and
 - (b) Buyer's operation and maintenance of the pump and motor in strict accordance with Speck Pumps - Pool Products, Inc.'s printed operator/maintenance manuals delivered with the pump and motor.

4. **DISCLAIMER: THE LIMITED WARRANTY IS THE ONLY WARRANTY MADE AND IS IN LIEU OF ALL OTHER WARRANTIES, AND ANY AND ALL IMPLIED WARRANTY OR CONDITION OF MERCHANTABILITY, THE IMPLIED WARRANTY AGAINST INFRINGEMENT, AND THE IMPLIED WARRANTY OR CONDITION OF FITNESS FOR A PARTICULAR PURPOSE ARE EXPRESSLY LIMITED IN THEIR SCOPE AND DURATION TO THE TWO YEAR TERM OF THE LIMITED WARRANTY SET FORTH HEREIN. SOME STATES DO NOT ALLOW LIMITATIONS ON HOW LONG AN IMPLIED WARRANTY LASTS, SO THE ABOVE LIMITATION MAY NOT APPLY TO THE BUYER.**

5. **TO THE FULLEST EXTENT PERMITTED BY LAW, IN NO EVENT SHALL SPECK PUMPS - POOL PRODUCTS, INC. OR ITS OFFICERS, DIRECTORS, EMPLOYEES, SHAREHOLDERS, AGENTS, OR REPRESENTATIVES BE LIABLE FOR ANY SPECIAL, INDIRECT, INCIDENTAL, EXEMPLARY OR CONSEQUENTIAL DAMAGES OR LOSS, INCLUDING TIME, MONEY, GOODWILL, AND LOST PROFITS IN ANY WAY WHICH MAY ARISE HEREUNDER OR FROM THE USE OF OR INABILITY TO USE THE PUMP AND MOTOR OR THE PERFORMANCE OR NONPERFORMANCE OF ANY OBLIGATION UNDER THIS LIMITED WARRANTY. THIS PARAGRAPH, THE WARRANTY DISCLAIMERS IN PARAGRAPH 4 ABOVE, AND THE SOLE AND EXCLUSIVE REMEDY SET FORTH IN PARAGRAPH 1 ABOVE SHALL APPLY EVEN IF SPECK PUMPS - POOL PRODUCTS, INC. HAS BEEN NOTIFIED OF THE POSSIBILITY OR LIKELIHOOD OF SUCH DAMAGES OCCURRING, WHETHER SUCH LIABILITY IS BASED ON CONTRACT, TORT, NEGLIGENCE, STRICT LIABILITY, PRODUCTS LIABILITY OR OTHERWISE, AND EVEN IF ANY REMEDY STATED HEREIN FAILS OF ITS ESSENTIAL PURPOSE. SOME STATES DO NOT ALLOW THE EXCLUSION OR LIMITATION OF SPECIAL, INDIRECT, INCIDENTAL, EXEMPLARY OR CONSEQUENTIAL DAMAGES OR LOSS, SO THE ABOVE EXCLUSIONS AND LIMITATIONS MAY NOT APPLY.**

6. This Limited Warranty gives the Buyer specific legal rights, and the Buyer may also have other rights, which vary from state to state.

7. A return merchandise authorization ("RMA") must be obtained from Speck Pumps - Pool Products, Inc. before returning any product. Products returned without an RMA will be refused and returned, unopened, to the Buyer. All returned products are to be sent freight prepaid and insured for Buyer's protection to the manufacturer at 8125 Bayberry Road, Jacksonville, Florida 32256. Under no condition will products be accepted after the expiration of the Limited Warranty Period. Speck Pumps - Pool Products, Inc. shall not bear any costs or risks incurred by Buyer in shipping a defective pump and motor to Speck Pumps - Pool Products, Inc. or in shipping a repaired or replaced pump and motor to Buyer.

Technical Support:

Address: Speck Pumps
8125 Bayberry Road
Jacksonville, FL. 32256
USA

Hours: (Monday - Friday) 8:00 am to 5:00 pm EST

Toll Free: 800-223-8538

Phone: 904-739-2626

Fax: 904-737-5261

Website: www.usa.speck-pumps.com

Date of Installation: _____

Installed by: _____

Serial Number: _____

For Service Call: _____

READ THIS MANUAL CAREFULLY BEFORE USING THE PUMP

⚠ DANGER: DO NOT BLOCK SUCTION ⚠



- Pump suction is hazardous and can trap and drown or disembowel swimmers.
- Blocking suction with body may cause severe or fatal injury.
- **DO NOT** use or operate swimming pools, spas, or hot tubs if a suction outlet cover is missing, broken, or loose.
- All suction outlet covers must be maintained. They must be replaced if cracked, broken, or missing.
- All suction outlets must have correctly installed screw-fastened cover in place.
- The pump suction system must provide protection against the hazard of suction entrapment or hair entrapment/entanglement.
- Provide at least two hydraulically balanced (3' apart) main drains, with covers as suction outlets for each circulating pump suction line.

⚠ WARNING: RISK OF ELECTRICAL SHOCK ⚠



Pool pump must be installed by a licensed or certified electrician or a qualified pool serviceman in accordance with the National Electrical Code and all applicable local codes and ordinances. Improper installation will create an electric hazard which could result in death or serious injury to pool users, installers, or others due to electrical shock, and may also cause damage to property.

Always disconnect power to the pool pump at the circuit breaker before servicing the pump. Failure to do so could result in death or serious injury to serviceman, pool users, or others due to electric shock.

⚠ SAVE THESE INSTRUCTIONS! ⚠