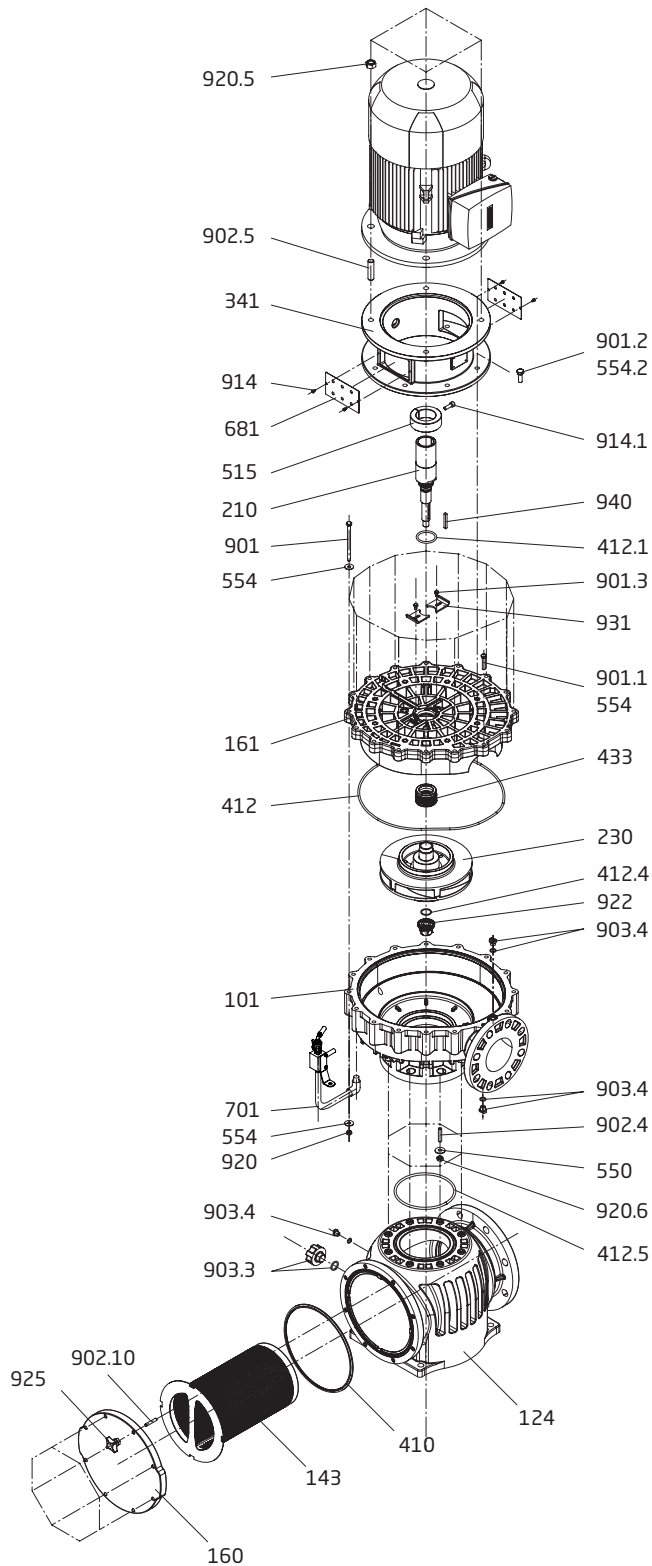


BADU® Block Multi Series (Model 100/250) **SPECK**

All Polyurethane Pump



Order#	Drawing #	Qty Required	Description
7201210106	101	1	Casing CPL
1913391269	124	1	Plastic Strainer Tank CPL
1900214301	143	1	Strainer Basket - Stainless Steel
7201214300	143	1	Strainer Basket - Plastic
1900216602	160	1	Strainer Lid
7201216100	161	1	Seal Housing
7201421041	210	1	Pump Shaft CPL
7201223000	230	1	Impeller (15.0 HP) 220mm
7201223000A	230	1	Impeller (20.0 HP) 240mm
7201434141	341	1	Motor Lantern CPL
1913214109	410	1	Gasket - Strainer Lid, NBR
7201241202	412	1	O-ring - 369.3 x 5.7mm - Casing, NBR
2319800843	412.1	1	O-ring - 24.5 x 2.4mm - Pump Shaft, NBR
7201241200	412.4	1	O-ring - 37.5 x 2.65mm - Impeller Nut, NBR
2902041210	412.5	1	O-ring - 175 x 6.5mm - Strainer, NBR
1913314346	433	1	Mechanical Seal (38mm) CPL - Carbon/SiC+EPDM
1913314345	433	1	Mechanical Seal (38mm) CPL - SiC/SiC+EPDM
7201451500	515	1	Shaft Collar
5879021100	550	8	Washer - 10.5 x 30mm SS
5879021080	554	31	Washer - 8.4 x 24mm SS
5871251000	554.2	8	Washer - 10.5mm SS
7201268103	681	2	Plate With Speck Logo
7201270007	701	1	Air Bleed/Circulation Line Assembly
5879310920	901	15	Screw - M8 x 120mm, Hex SS
5879310840	901.1	1	Screw - M8 x 40mm, Hex SS
5879331030	901.2	8	Screw - M10 x 30mm, Hex SS
5879330610	901.3	2	Screw - M6 x 10mm, Hex SS
5879390835	902.10	8	Stud - M8 x 35, SS
5879391035	902.4	8	Stud - M10 x 35, SS
5879391640	902.5	4	Stud - M16 x 40, SS
2922091600A	903.3	1	Red Drain Plug (3/4") w/ O-ring
2923591201A	903.4	3	Black Drain Plug (1/4") w/ O-ring
5879120406	914	4	Screw - M4 x 6, Hex SS
5819120826	914.1	1	Screw - M8 x 25mm
5879340800	920	15	Nut - M8, SS
5879341600	920.5	4	Nut - M16, SS
5879341000	920.6	8	Nut - M10, SS
7201292201	922	1	Impeller Nut
2921891500	925	8	Handle M8 - Black
7201293100	931	2	Locking Tab
5878850671	940	1	Shaft Key 6 x 6 x 50