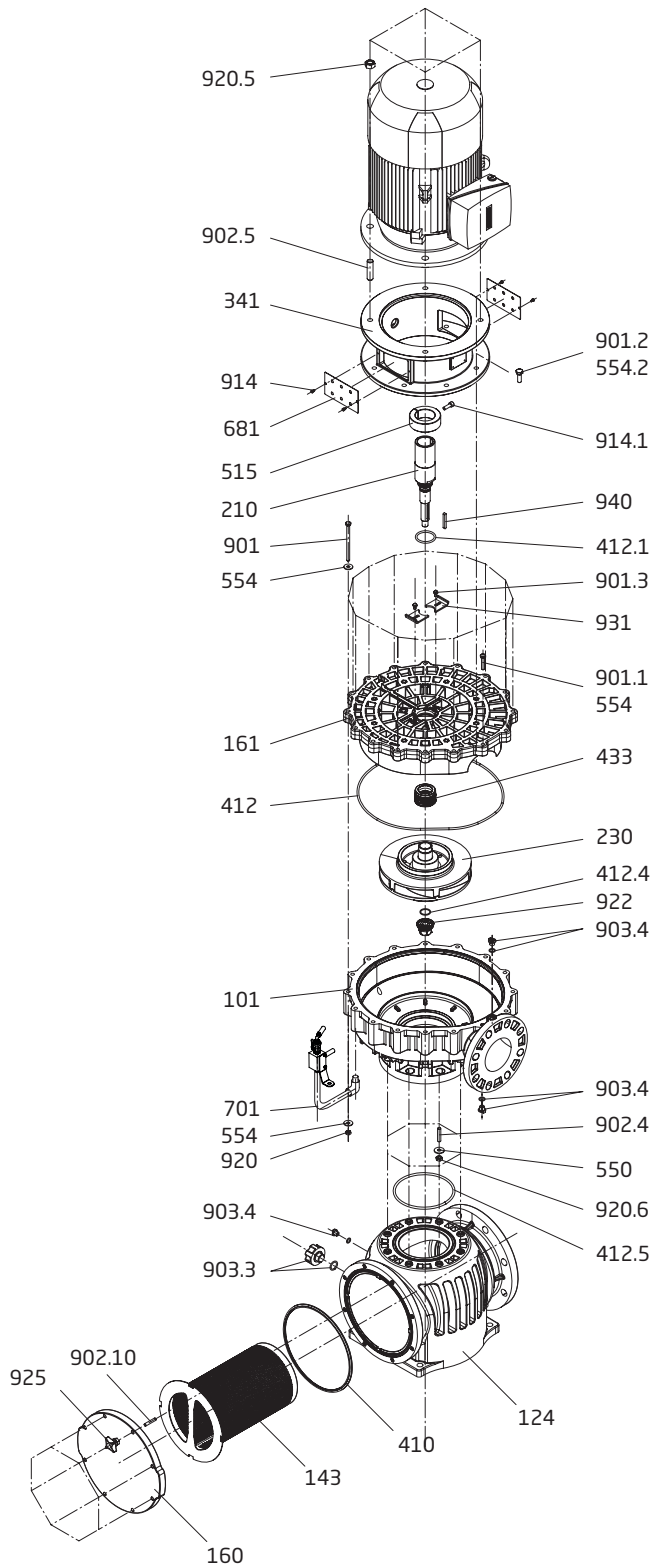


# BADU® Block Multi Series (Model 65/250)



All Polyurethane Pump



Order#	Drawing #	Qty Required	Description
7201110111	101	1	Casing CPL
1913291269	124	1	Plastic Strainer Tank CPL
1900214301	143	1	Strainer Basket - Stainless Steel
7201214300	143	1	Strainer Basket - Plastic
1900216602	160	1	Strainer Lid
7201116100	161	1	Seal Housing
7201421042	210	1	Pump Shaft CPL
7201123000/200	230	1	Impeller (5.5 HP) 200mm
7201123000	230	1	Impeller (7.5 HP) 225mm
7201123000A	230	1	Impeller (10.0 HP) 240mm
7201434140	341	1	Motor Lantern CPL Bg 132
1913214109	410	1	Gasket NBR - Strainer Lid
7201141201	412	1	O-ring - 355 x 5mm - Casing, NBR
7201141240	412.1	1	O-ring - 22 x 2mm - Pump Shaft, NBR
2711040109	412.4	1	O-ring - 31.5 x 2.5mm - Impeller Nut, NBR
2920341210	412.5	1	O-ring - 123.19 x 5.33mm - Strainer, NBR
7201143305	433	1	Mechanical Seal (32mm) CPL - Carbon/SiC+EPDM
7201143306	433	1	Mechanical Seal (32mm) CPL - SiC/SiC+EPDM
7201451500	515	1	Shaft Collar
5879021100	550	8	Washer - 10.5 x 30mm, SS
5871250800	554	27	Washer - 8.4mm, SS
5871251000	554.2	8	Washer - 10.5mm, SS
7201268103	681	2	Plate With Speck Logo
7201270007	701	1	Air Bleed/Circulation Line Assembly
5879310920	901	13	Screw - M8 x 120mm, Hex SS
5879310865	901.1	1	Screw - M8 x 65mm, Hex SS
5879331030	901.2	8	Screw - M10 x 30mm, Hex SS
5879330610	901.3	2	Screw - M6 x 10mm, Hex SS
5879390835	902.10	8	Stud - M8 x 35, SS
5879391035	902.4	8	Stud - M10 x 35, SS
5879391225	902.5	4	Stud - M12 x 25, SS
2922091600A	903.3	1	Red Drain Plug (3/4") w/ O-ring
2923591201A	903.4	3	Black Drain Plug (1/4") w/ O-ring
5879120406	914	4	Screw - M4 x 6, SS
5819120826	914.1	1	Screw - M8 x 25mm
5879340800	920	13	Nut - M8, SS
5879341200	920.5	4	Nut - M12, SS
5879341000	920.6	8	Nut - M10, SS
7201192201	922	1	Impeller Nut
2921891500	925	8	Handle M8 - Black
7201293100	931	2	Locking Tab
5878850664	940	1	Shaft Key 6 x 6 x 40