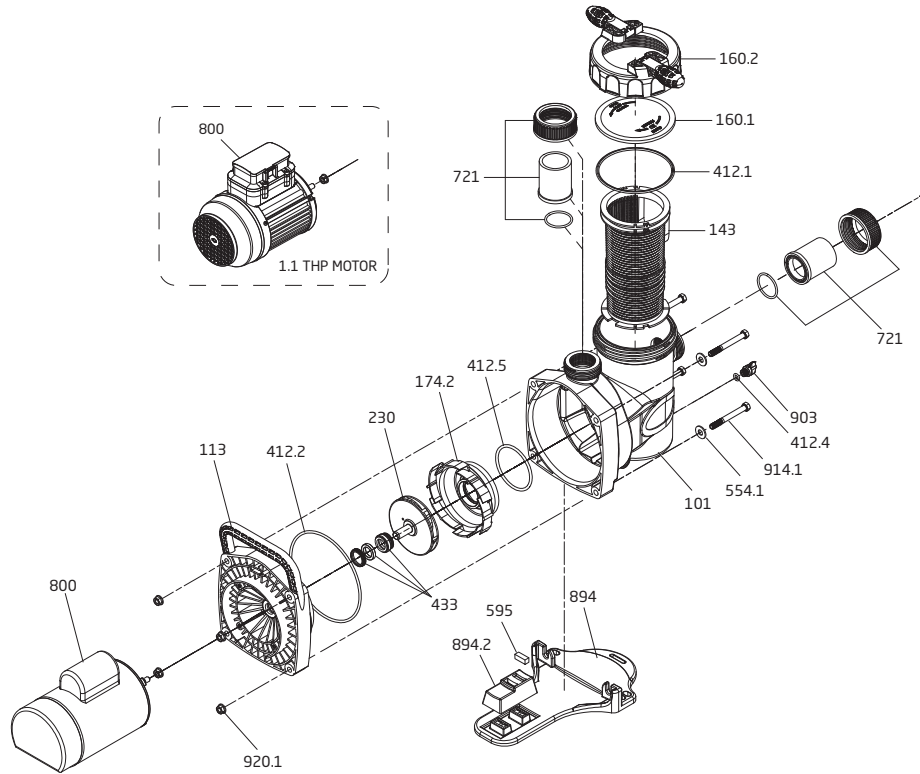


BADU® Pro Series (48 frame)

Self-Priming Swimming Pool Pump



Order#	Drawing #	Qty Required	Description
2901116010	160.1	1	Lid - Clear
2921116012B	Not Shown	1	Lid - Clear w/ LED Light
2921116022	160.2	1	Lid - Lock Ring w/ Handles
2921141210	412.1	1	O-ring - Lid 137 x 5mm
2901114300	143	1	Basket
2901510102	101	1	Casing (1.5")
2901510103	101	1	Casing (2.0")
2901490300	903	1	Plug Winged - Casing Drain (1/4")
2302002062	412.4	1	O-ring - Drain Plug 11 x 2.5mm
2991000154	914.1	4	Screw - 3/8-16 x 3-1/2" Hex Cap SS
2991400035	554.1	4	Washer - Flat 3/8" SS
2991000155	920.1	4	Nut - 3/8-16 Brass
2920359501	595	1	Rubber Buffer - 10 x 10 x 27mm
2901591701	894.2	1	Motor Support
2901589400	894	1	Base Plate
2920141210	412.5	1	O-ring - Diffuser 90 x 5mm
2921117412	174.2	1	Diffuser (-, -II)
2921923091	230	1	Impeller (-I) - 99 x 4.5mm (3/8")

Order#	Drawing #	Qty Required	Description
2921923043	230	1	Impeller (-II) - 98 x 9.0mm (3/8")
2921223040	230	1	Impeller (1.1THP) 115 x 9.0mm (3/8")
2921923193	230	1	Impeller (-III) - 106 x 9.0mm (3/8") w/ Insert
2921923094	230	1	Impeller (-IV) - 111 x 9.0mm (3/8") w/ Insert
2921606204	433	1	Mechanical Seal (5/8"mm) - Carbon/Ceramic
2901541221	412.2	1	O-ring - Casing 190 x 5mm
2901516102	113	1	Flange/Seal Housing
2500300937	721	1	1.5" Union Package CPL
2500300936	721	1	2.0" Union Package CPL

Go Kits For The BADU Pro (48 frame)

SPK-BaduProE-GOKIT	Not Shown	Seal GoKit*
--------------------	-----------	-------------



* Please Note the Seal Go Kits includes the following items: Mechanical Seal, & O-rings.