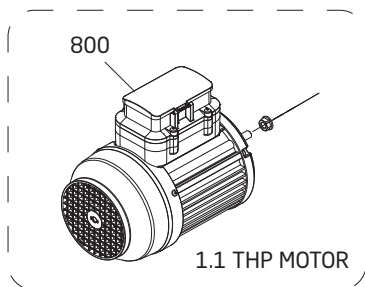
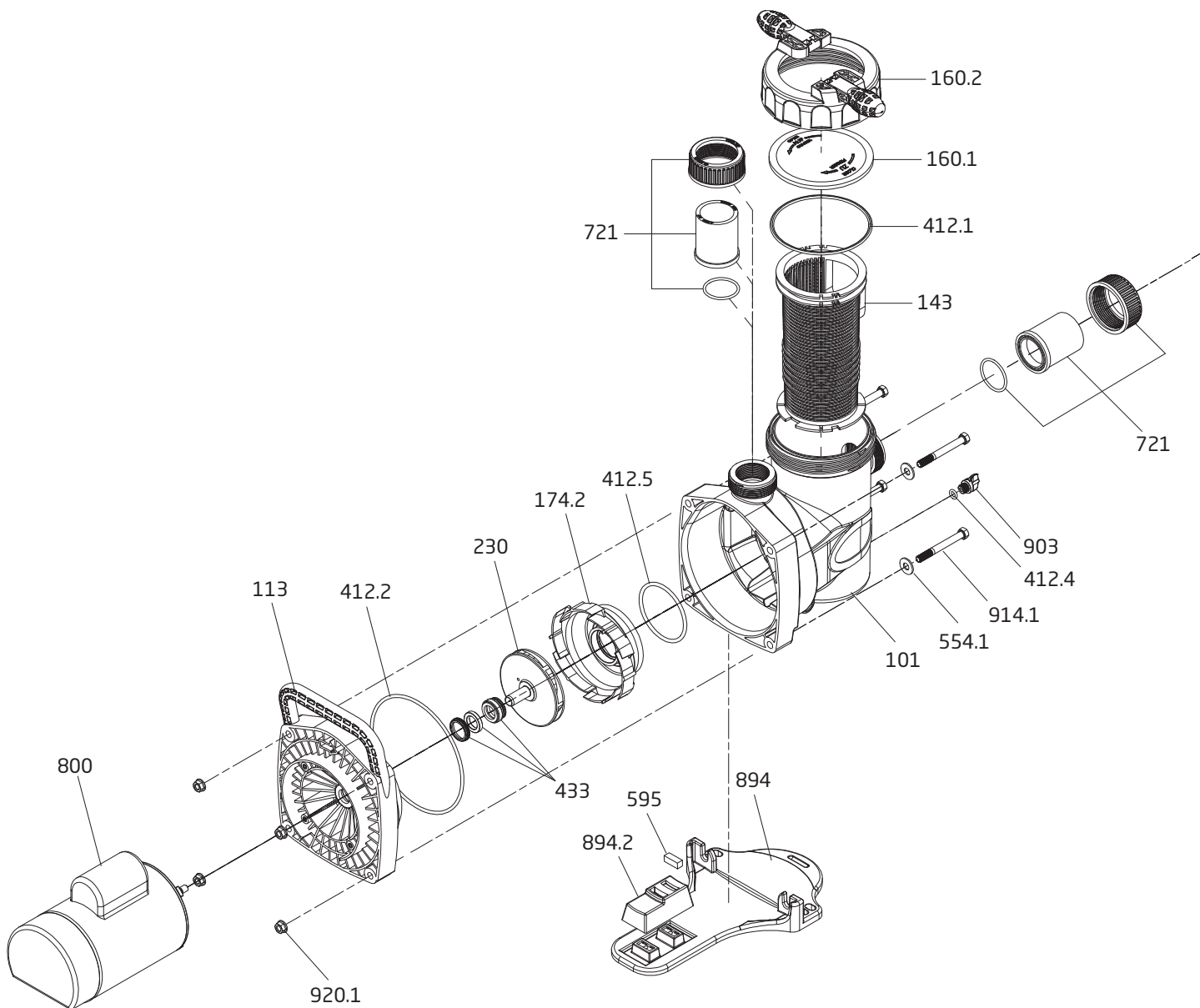


# BADU® Pro Series (48 frame)

Swimming Pool Pump



## Swimming Pool Pump

Order #	Drawing Number	Qty Required	Description	List Price
2901116010	160.1	1	LID - CLEAR	\$ 19.50
2921116012	NOT SHOWN	1	LID - CLEAR with LED LIGHT	44.10
2921116022	160.2	1	LOCK RING WITH HANDLES - LID	35.80
2921141210	412.1	1	O-RING - LID 137 x 5mm	5.10
2901114300	143	1	BASKET - ONE PIECE	16.90
2901510102	101	1	CASING - 1.5" NPT	76.50
2901490300	903	1	DRAIN PLUG - WINGED w/ O-RING	2.90
2991000154	914.1	4	SCREW - 3/8-16 X 3-1/2" HEX CAP SS	2.80
2991400035	554.1	4	WASHER - FLAT 3/8" SS	0.70
2991000155	920.1	4	NUT - 3/8-16 WHIZ FLANGE BRASS	3.60
2920359501	595	1	RUBBER BUFFER 10 x 10 x 27mm	4.00
2901591701	894.2	1	MOTOR SUPPORT	4.40
2901589400	894	1	BASE PLATE	21.90
2920141210	412.5	1	O-RING - DIFFUSER 90 x 5mm	3.40
2921117412	174.2	1	DIFFUSER	48.50
2921923091	230	1	IMPELLER (-I) 99 / 4.5mm (3/8")	52.40
2921923043	230	1	IMPELLER (-II) 98 / 9mm (3/8")	52.40
2921223040	230	1	IMPELLER (1.1THP) 115 / 9mm (3/8")	52.40
2921923193	230	1	IMPELLER (-III) 106 / 9mm (3/8") w/ INSERT	52.40
2921923094	230	1	IMPELLER (-IV) 111 / 9mm (3/8") w/ INSERT	68.00
2921606204	433	1	MECHANICAL SEAL (5/8") - CARBON/CERAMIC	14.60
2901541221	412.2	1	O-RING - CASING 190 x 5mm	3.40
2901516102	113	1	FLANGE/SEAL HOUSING	37.80
2500300937	721	1	SET - SUCTION/DISCHARGE 1.5" UNION COMPLETE	27.60

### Optional Parts

2901510103	101	1	CASING - 2.0" NPT	76.50
2500300936	721	1	SET - SUCTION/DISCHARGE 2.0" UNION COMPLETE	27.60

### REPLACEMENT MOTORS

Order #	Model	THP	Volts	Motor/Frame	Speed	List Price
<b><i>SINGLE SPEED, 48 Frame, 3/8" Threaded Stainless Steel Shaft, 50/60Hz Motor</i></b>						
K055RMD2237	-I	0.75	230/115	PSC 48	single	\$ 351.00
K055RME2238	-II	1.0	230/115	PSC 48	single	365.00
K055RMF2239	-III	1.5	230/115	PSC 48	single	443.70
K055RMG2240	-IV	2.0	230	PSC 48	single	497.60
<b><i>VARIABLE SPEED, 48 Frame, 3/8" Threaded Stainless Steel Shaft, 50/60Hz Motor</i></b>						
ECPM750011	-II	1.1	115-230	TEFC 48	single	711.70