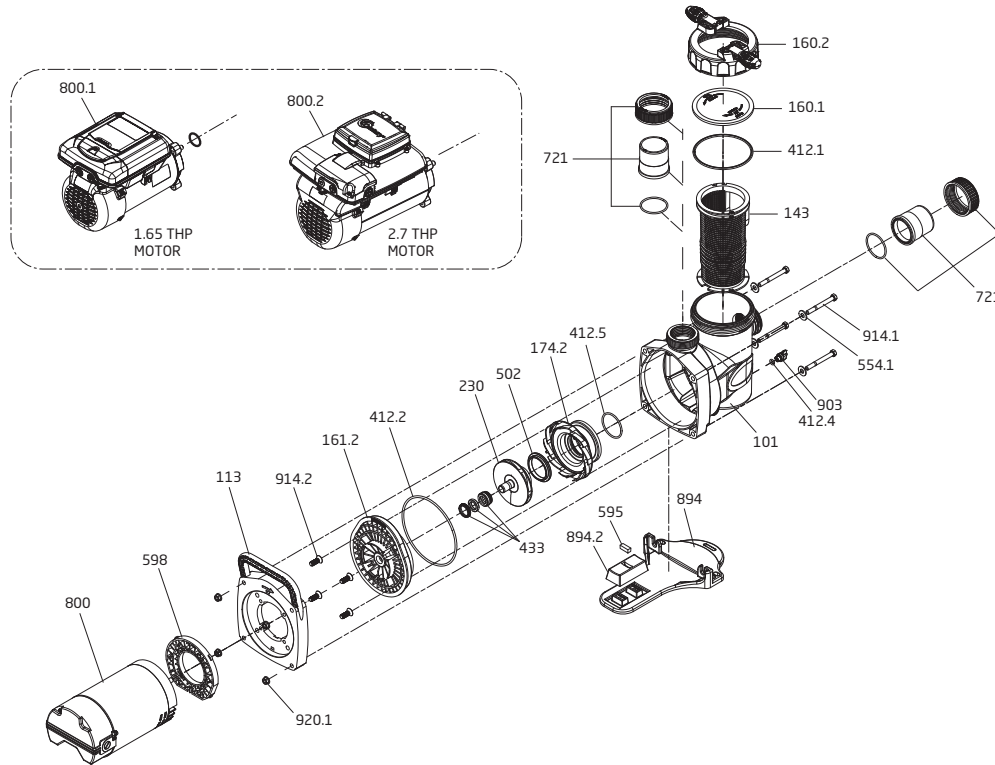


BADU® Pro Series (56 frame)

Self-Priming Swimming Pool Pump



Order#	Drawing #	Qty Required	Description
2901116010	160.1	1	Lid - Clear
2921116012B	Not Shown	1	Lid - Clear w/ Led Light
2921116022	160.2	1	Lid - Lock Ring w/ Handles
2921141210	412.1	1	O-ring - Lid 137 x 5mm
2901114300	143	1	Basket
2901510102	101	1	Casing (1.5")
2901510103	101	1	Casing (2.0")
2901490300	903	1	Plug Winged - Casing Drain (1/4")
2302002062	412.4	1	O-ring - Drain Plug 11 x 2.5mm
2991000154	914.1	4	Screw - 3/8-16 x 3-1/2" Hex Cap SS
2991400035	554.1	4	Washer - Flat 3/8" SS
2991000155	920.1	4	Nut - 3/8-16 Brass
2920359501	595	1	Rubber Buffer - 10 x 10 x 27mm
2901591700	894.2	1	Motor Support
2901591701	894.2	1	Motor Support (1.65 THP & 2.7 THP)
2901589400	894	1	Base Plate
2920141210	412.5	1	O-ring - Diffuser 90 x 5mm
2901417421	174.2	1	Diffuser (-I, -II)
2901417422	174.2	1	Diffuser (-III, -IV, -V)
2901417420	174.2	1	Diffuser (-VI)
2920750200	502	1	Wear Ring (-I, -II)

Order#	Drawing #	Qty Required	Description
2901450700	502	1	Wear Ring (-III, -IV, -V)
2901423139	230	1	Impeller (-I) - 103 x 5.3mm
2901423039	230	1	Impeller (-II) - 113 x 5.3mm
2901423108	230	1	Impeller (-III) - 108 x 8.7mm
2901423033	230	1	Impeller (-IV) - 120 x 8.7mm
2901423017	230	1	Impeller (-V) - 118 x 10mm
2901423013	230	1	Impeller (-VI) - 120 x 7.8mm
2920343310	433	1	Mechanical Seal (20mm) - Carbon/Ceramic
2901541221	412.2	1	O-ring - Casing 190 x 5mm
2901516100	161.2	1	Seal Housing
2991400028	914.2	4	Screw - 3/8-16 x 2" (Allen Head)
2901511300	113	1	Flange
2920110200	598	1	Motor Flange
2500300937	721	1	1.5" Union Package - Suction/ Discharge
2500300936	721	1	2.0" Union Package - Suction/ Discharge

Go Kits For The BADU Pro (56 frame)

SPK-BaduPro-GOKIT	Not Shown	Seal GoKit*



* Please Note the Seal Go Kits includes the following items: Mechanical Seal, & O-rings.