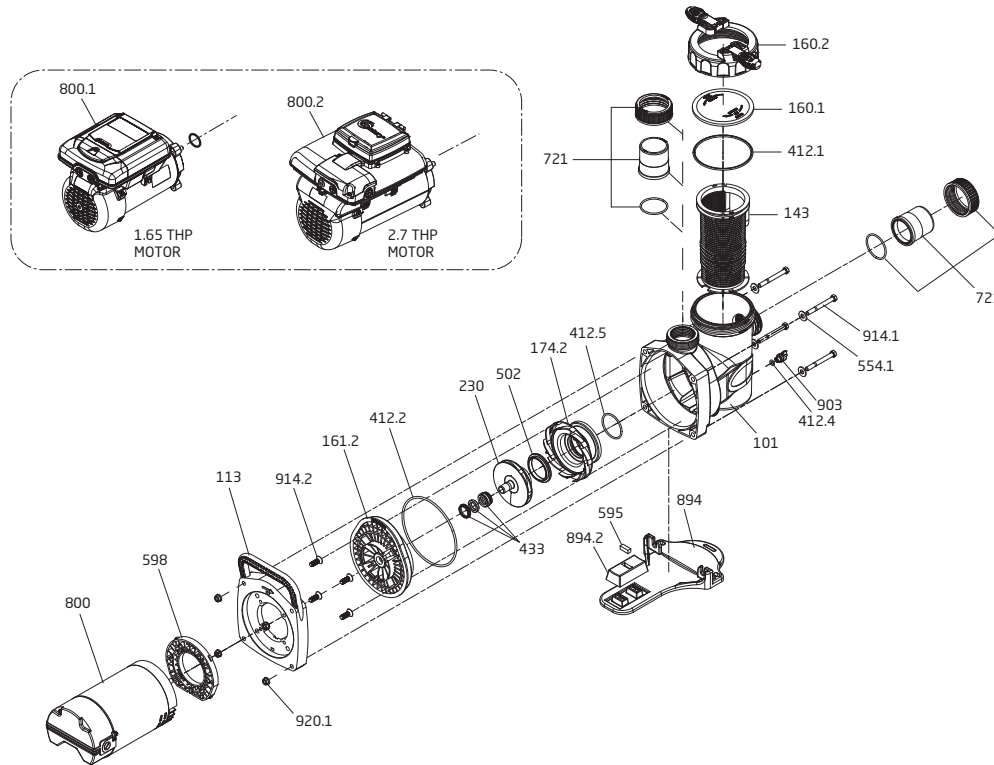


BADU® Pro Series (56 frame)

Self-Priming Swimming Pool Pump



Order#	Drawing #	Description	List Price (\$)
2901116010	160.1	Lid - Clear	21.30
2921116012B	Not Shown	Lid - Clear w/ Led Light	46.70
2921116022	160.2	Lid - Lock Ring w/ Handles	38.90
2921141210	412.1	O-ring - Lid 137 x 5mm	5.50
2901114300	143	Basket	18.40
2901510102	101	Casing (1.5")	83.20
2901510103	101	Casing (2.0")	83.20
2901490300	903	Drain Plug - Winged w/ O-ring	3.10
2991000154	914.1	Screw - 3/8-16 x 3-1/2" Hex Cap SS (x4)	3.00
2991400035	554.1	Washer - Flat 3/8" SS (x4)	0.70
2991000155	920.1	Nut - 3/8-16 Brass (x4)	3.90
2920359501	595	Rubber Buffer - 10 x 10 x 27mm	4.40
2901591700	894.2	Motor Support	4.80
2901591701	894.2	Motor Support (1.65 THP & 2.7 THP)	4.80
2901589400	894	Base Plate	23.90
2920141210	412.5	O-ring - Diffuser 90 x 5mm	3.70
2901417421	174.2	Diffuser (-I, -II)	33.90
2901417422	174.2	Diffuser (-III, -IV, -V)	35.10
2901417420	174.2	Diffuser (-VI)	26.60
2920750200	502	Wear Ring (-I, -II)	8.50
2901450700	502	Wear Ring (-III, -IV, -V)	8.00

Order#	Drawing #	Description	List Price (\$)
2901423139	230	Impeller (-I) - 103 x 5.3mm	50.00
2901423039	230	Impeller (-II) - 113 x 5.3mm	50.00
2901423108	230	Impeller (-III) - 108 x 8.7mm	64.50
2901423033	230	Impeller (-IV) - 120 x 8.7mm	64.50
2901423017	230	Impeller (-V) - 118 x 10mm	64.50
2901423013	230	Impeller (-VI) - 120 x 7.8mm	44.50
2920343310	433	Mechanical Seal (20mm) - Carbon/Ceramic	60.40
2901541221	412.2	O-ring - Casing 190 x 5mm	3.80
2901516100	161.2	Seal Housing	25.20
2991400028	914.2	Screw - 3/8-16 x 2" (Allen Head) (x4)	5.50
2901511300	113	Flange	29.80
2920110200	598	Motor Flange	16.10
2500300937	721	1.5" Union Package - Suction/ Discharge	30.00
2500300936	721	2.0" Union Package - Suction/ Discharge	30.00

Go Kits For The BADU Pro (56 frame)

SPK-BaduPro-GOKIT	Not Shown	Seal GoKit*	76.40
-------------------	-----------	-------------	-------



* Please Note:
The 3" Union Set includes the Nut, O-ring, & Adaptor
The Seal Go Kits includes the following items: Mechanical Seal, & O-rings.