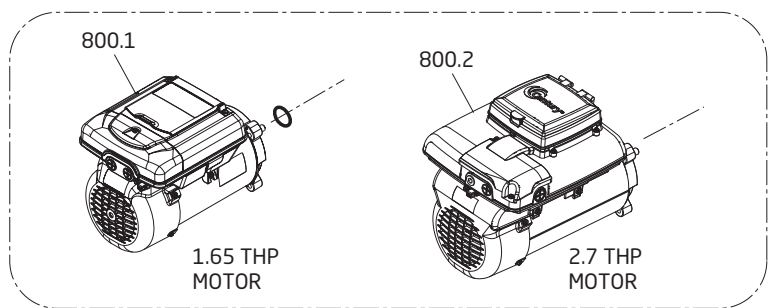
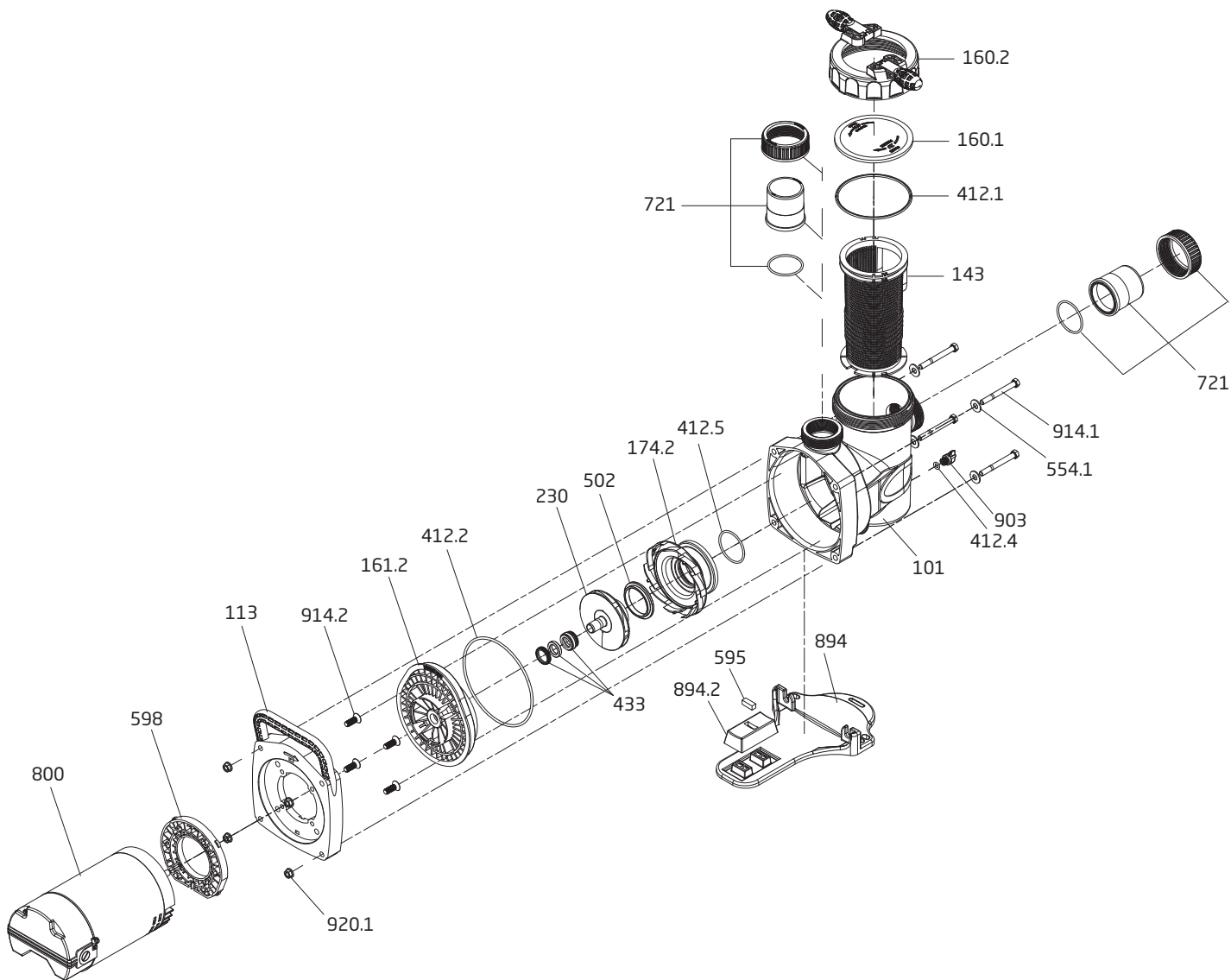


BADU® SuperPro Series (56 frame)

Swimming Pool Pump



Swimming Pool Pump

Order #	Drawing Number	Qty Required	Description	List Price
2901116010	160.1	1	LID - CLEAR	\$ 19.50
2921116012	NOT SHOWN	1	LID - CLEAR with LED LIGHT	44.10
2921116022	160.2	1	LOCK RING WITH HANDLES - LID	35.80
2921141210	412.1	1	O-RING - LID 137 x 5mm	5.10
2901114300	143	1	BASKET - ONE PIECE	16.90
2901510103	101	2	CASING - 2" NPT	76.50
2901490300	903 & 412.4	1	DRAIN PLUG - WINGED w/ O-RING	2.90
2991000154	914.1	4	SCREW - 3/8-16 X 3-1/2" HEX CAP SS	2.80
2991400035	554.1	4	WASHER - FLAT 3/8" SS	0.70
2991000155	920.1	4	NUT - 3/8-16 WHIZ FLANGE BRASS	3.60
2920359501	595	1	RUBBER BUFFER 10 x 10 x 27mm	4.00
2901591700	894.2	1	MOTOR SUPPORT	4.40
2901591701	894.2	1	MOTOR SUPPORT (1.65 THP & 2.7 THP)	4.40
2901589400	894	1	BASE PLATE	21.90
2920141210	412.5	1	O-RING - DIFFUSER 90 x 5mm	3.40
2901417421	174.2	1	DIFFUSER (-I, -II)	31.20
2901417422	174.2	1	DIFFUSER (-III, -IV, -V)	32.20
2901417420	174.2	1	DIFFUSER (-VI)	24.40
2920750200	502	1	WEAR RING (-I, -II)	7.80
2901450700	502	1	WEAR RING (-III, -IV, -V)	7.30
2901423130	230	1	IMPELLER (-I) 103 / 5.3mm	46.00
2901423015	230	1	IMPELLER (-II) 113 / 5.3mm	46.00
2901423108	230	1	IMPELLER (-III) 108 / 8.7mm	59.30
2901423033	230	1	IMPELLER (-IV) 120 / 8.7mm	59.30
2901423017	230	1	IMPELLER (-V) 118 / 10mm	59.30
2901423013	230	1	IMPELLER (-VI) 120 / 7.8mm	40.90
2920343310	433	1	MECHANICAL SEAL (20mm) COMPLETE	55.60
2901541221	412.2	1	O-RING - CASING 190 x 5mm	3.60
2901516100	161.2	1	SEAL HOUSING	23.20
2991400028	914.2	4	SCREW - 3/8-16 x 2" (ALLEN HEAD)	5.10
2901511300	113	1	FLANGE	27.40
2920110200	598	1	MOTOR FLANGE	14.80
2500300936	721	1	SET - SUCTION/DISCHARGE 2" UNION COMPLETE	27.60
Optional Parts				
2901510103	101	1	CASING - 1.5" NPT	76.50
2500300936	721	1	SET - SUCTION/DISCHARGE 1.5" UNION COMPLETE	27.60

REPLACEMENT MOTORS FOR SPECK PUMP MODEL - BADU SUPERPRO SERIES

Order #	MFR #	Model	THP	HP	S.F.	Volts	Frame	List Price
<i>SINGLE SPEED, Standard Efficient Max Rated, 56 Frame, C-Face, 7/16" Threaded Shaft</i>								
0817749000	EB227	-I	0.98	0.75	1.25	115/230	56	\$ 345.30
0817750000	EB228	-II	1.25	1.0	1.25	115/230	56	362.70
0817750100	EB229	-III	1.65	1.5	1.10	115/230	56	401.70
0817750200	EB230	-IV	2.25	2.0	1.10	115/230	56	442.50
<i>TWO SPEED, Premium Energy Efficient, 56 Frame, C-Face, 7/16" Threaded Shaft</i>								
B63GZABR1036	ASB2973H	-II	1.25	0.75	1.67	230	56	561.80
B63GZABS1037	ASB2975	-III	1.65	1.0	1.65	230	56	574.90
B63GZABT1038	ASB2977	-IV	2.25	1.5	1.47	230	56	621.40
B63GZABU1039	ASB2979	-V	2.60	2.0	1.30	230	56	786.70
<i>SINGLE SPEED, Premium Energy Efficient, 56 Frame, C-Face, 7/16" Threaded Shaft</i>								
0816529800	ASB657	-I	0.98	0.5	1.95	208-230/115	56j	360.60
0816511800	ASB638	-II	1.25	0.75	1.67	208-230/115	56j	387.30
0816512000	ASB654	-III	1.65	1.0	1.65	208-230/115	56j	439.10
0816512200	ASB796	-IV	2.25	1.5	1.50	208-230/115	56j	612.20
0816512400	ASB809	-V	2.60	2.0	1.30	208-230	56j	738.60
0816512600	ASB818	-VI	3.45	3.0	1.15	208-230	56j	910.20
<i>THREE PHASE, 56 Frame, C-Face, 7/16" Threaded Shaft, 50/60Hz Motor</i>								
0815176800	EH282	-I	0.80	0.50	1.60	208-230/460	56j	371.10
0815177000	EH451	-II	1.125	0.75	1.50	208-230/460	56j	442.30
0815177200	EH514	-III	1.40	1.0	1.40	208-230/460	56j	502.90
0815177400	EH617	-IV	1.95	1.5	1.30	208-230/460	56j	653.10
0815177600	EH705	-V	2.40	2.0	1.20	208-230/460	56j	724.50
0815177800	EH741	-VI	3.45	3.0	1.15	208-230/460	56j	866.90
<i>VARIABLE SPEED, 56 Frame, C-Face, 7/16" Threaded Shaft, 50/60Hz Motor</i>								
M48AA85A01		-III	1.65			208-230	56	771.70
M48AA69D29		-V	2.7			230	56	1,348.90
M48AA91D29		-VI	2.7 (w/ SVRS)			230	56	1,517.40