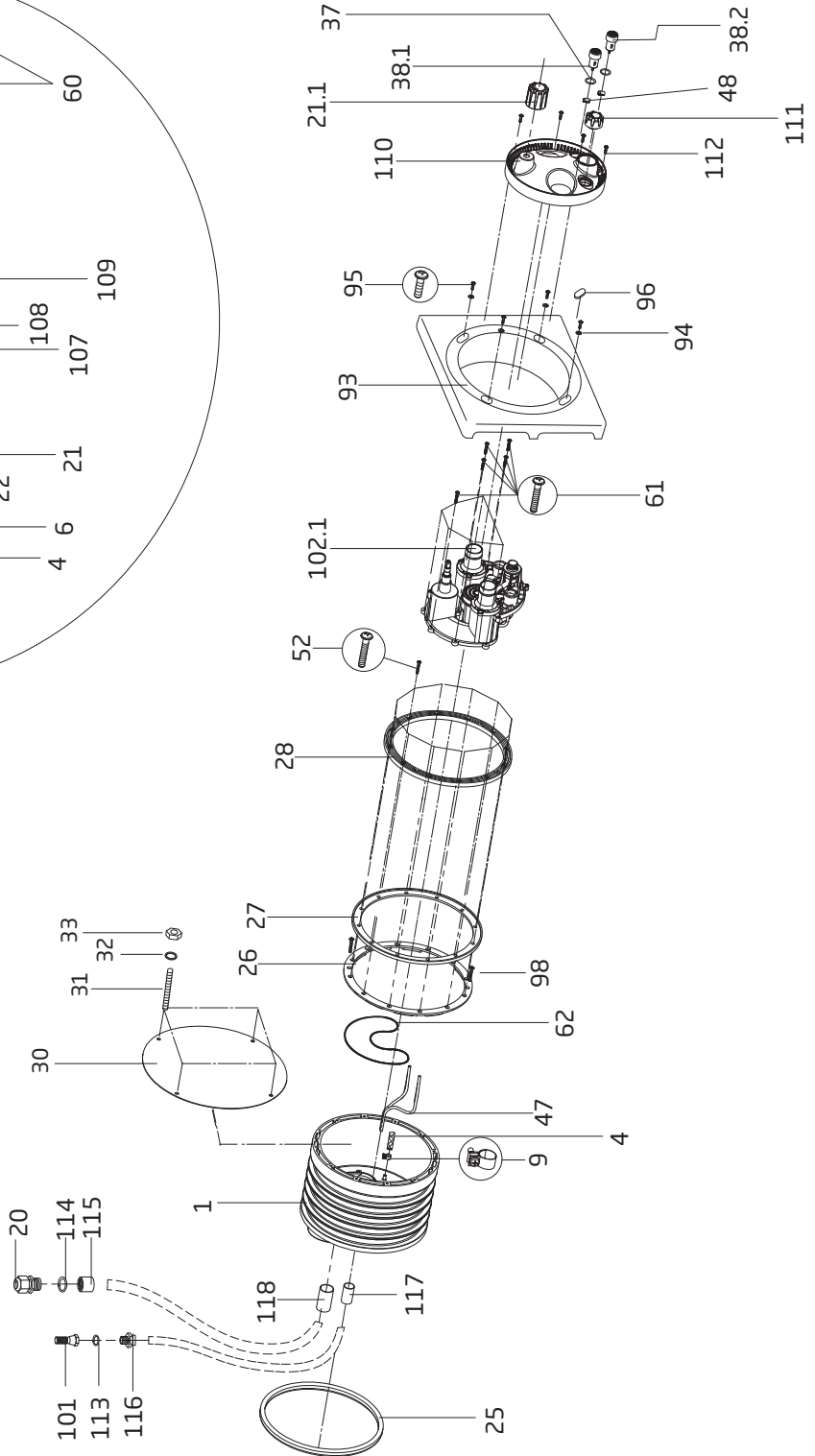
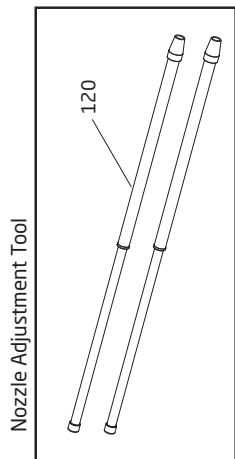
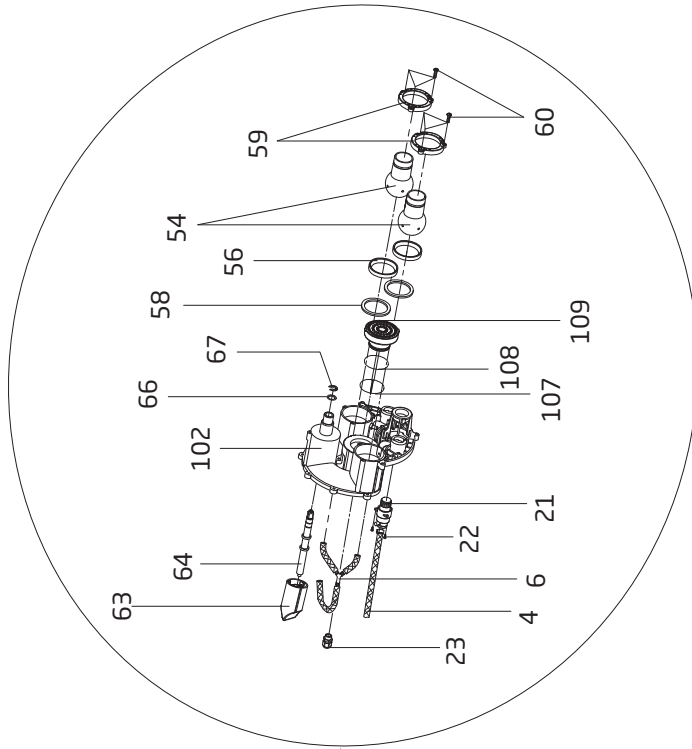


BADUJET super-sport //

SwimJet System



Order#	Drawing #	Qty Required	Description
2326000002A	1	1	Jet Housing
2301001007	4	1	Hose - Air Regulator 8 x 3mm <i>(Price Per Foot - Needed 3 Ft.)</i>
2326000408	6	1	Hose (3x) With Y-Hose Barb
2301001008	9	2	Clamp - Hose, Air Regulator 14/9 SS A4
2326000031	20	1	Strain Relief - Light Cable, 3/4" NPT
2321000409	21	1	Air Regulator Complete
2326000006	21.1	1	Volume Control Knob
5879812995	22	3	Screw - Air Regulator, 2.9 x 9.5 A4
5882501619	23	1	Strain Relief - Light Cable, M16 x 1.5
2326000020	25	1	Round Sealing Cord
2301000026	26	1	Gasket With Knobs - Jet Housing
2326000021	27	1	Gasket - Clamping Ring
2301000028	28	1	Ring - Clamp
2301000030K	30-33	1	Gunitex Cover Kit
2326000014	37	2	O-ring - Push Button - 24 x 3mm
2336002899A	38.1	1	50 ft. LED Push Button CPL - Pump
2336002898A	38.2	1	50 ft. LED Push Button CPL - Light
5879860830	52	12	Screw - Clamping Ring, Pozidriv/ Pan M8 x 30mm A4
2302002955	54	2	Nozzle - 40mm
2302002056	56	2	Seat - Nozzle
2302002057	58	2	Spacer - Nozzle 6.2mm
2319800817	59	2	Nozzle Flange
5879006023	60	6	Tapping Screw - Ball Nozzle Flange, 6 x 22mm A4
5879006023	61	10	Tapping Screw - Nozzle Housing, 6 x 22mm A4
2326000013	62	1	O-ring - Nozzle Housing 257 x 3mm
2326000004	63	1	Volume Control
2302002964	64	1	Volume Control Spindle CPL
2302002065	66	2	Washer - Volume Control Spindle, 23 x 16.2 x 1.5mm
2302002067	67	1	Retainer - Shaft, Volume Control Spindle
2302005236	93	1	Cover - Rectangular
5871250800	94	4	Washer - Rectangular Cover 8.4mm A4
5879860820	95	4	Bolt - Rectangular Cover, Phillips M8 x 20mm
5879850880	95.1	4	Bolt - Rectangular Cover, Phillips M8 x 80mm
2302005237	96	4	Plug - Rectangular Cover
2991000140	98	2	Screws - Countersunk Phillips M8 x 30mm
5030000105	101	1	Valve - Check 1/2"

Order#	Drawing #	Qty Required	Description
2326000003	102	1	Housing - Nozzle
2326000401K	102.1	1	Housing - Nozzle Complete w/ LED Light
3932541201	107	1	O-ring - Light 48 x 2mm
2607101019	108	1	O-ring - Light 49 x 3.5mm
2326000057	109	1	Light LED 12V AC - White, 15m
2326000035	110	1	Light Cover
2321000022	111	1	Air Regulator Knob
5879006023	112	4	Tapping Screw - Light Cover, 6 x 22mm A4
2920141230	113	1	O-ring - Check Valve, 19 x 3mm
2326000032	114	1	O-ring - Strain Relief
2326000034	115	1	Adaptor - Strain Relief, Female, PVC 3/4"
2301001030	116	1	Adaptor - Check Valve, Male, PVC 1/2"
5862432021	117	1	Connector - Air Regulation Line M20 x 1/2"
5862432531	118	1	Connector - Conduit M25 x 3/4"
2920280740	Not Shown	1	Control Box - BJC-7-GFCI-WIFI+CPB

Parts Below Are Unique to the BaduJet super-sport II Shipped Prior to 11/2019

2326000014	37	2	O-ring - Pneumatic Button 24 x 3mm
2321000401	38.1	1	Pneumatic Button CPL - Pump
2321000404	38.2	1	Pneumatic Button CPL - Lights
2300202060	47	2	Air Tubing - Light/Pump 4 x 1.5mm <i>(Price Per 10m)</i>
2302001046	48	2	Clamp - Hose, Pneumatic Button 6.8 - 8mm

Optional Parts

2326000036	109.1	1	Light LED 12V AC - Multi-color, 10m
2326000049	109.2	1	Light LED 12V AC - Blue, 15m
2326000010K	Not Shown	1	Winter Cover Kit
2300022010	Not Shown	1	Cap - Nozzle & Hand Grip, Close Off
2300003010	Not Shown	1	Massage Hose 5 ft. w/Pulsator & Hand Grip
2300003310	Not Shown	1	Massage Hose 15 ft. w/ Pulsator & Hand Grip
2308799007	31	1	Kit - Nozzle Adjustment Tool
2336002899B	38.1	1	100 ft. LED Push Button CPL - Pump
2336002898B	38.2	1	100 ft. LED Push Button CPL - Light