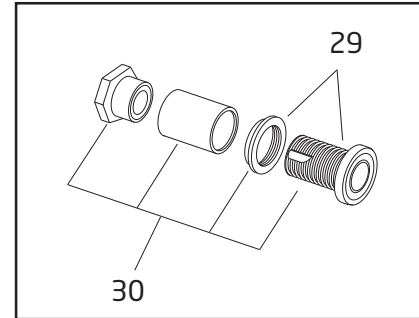


Badu® Stream //

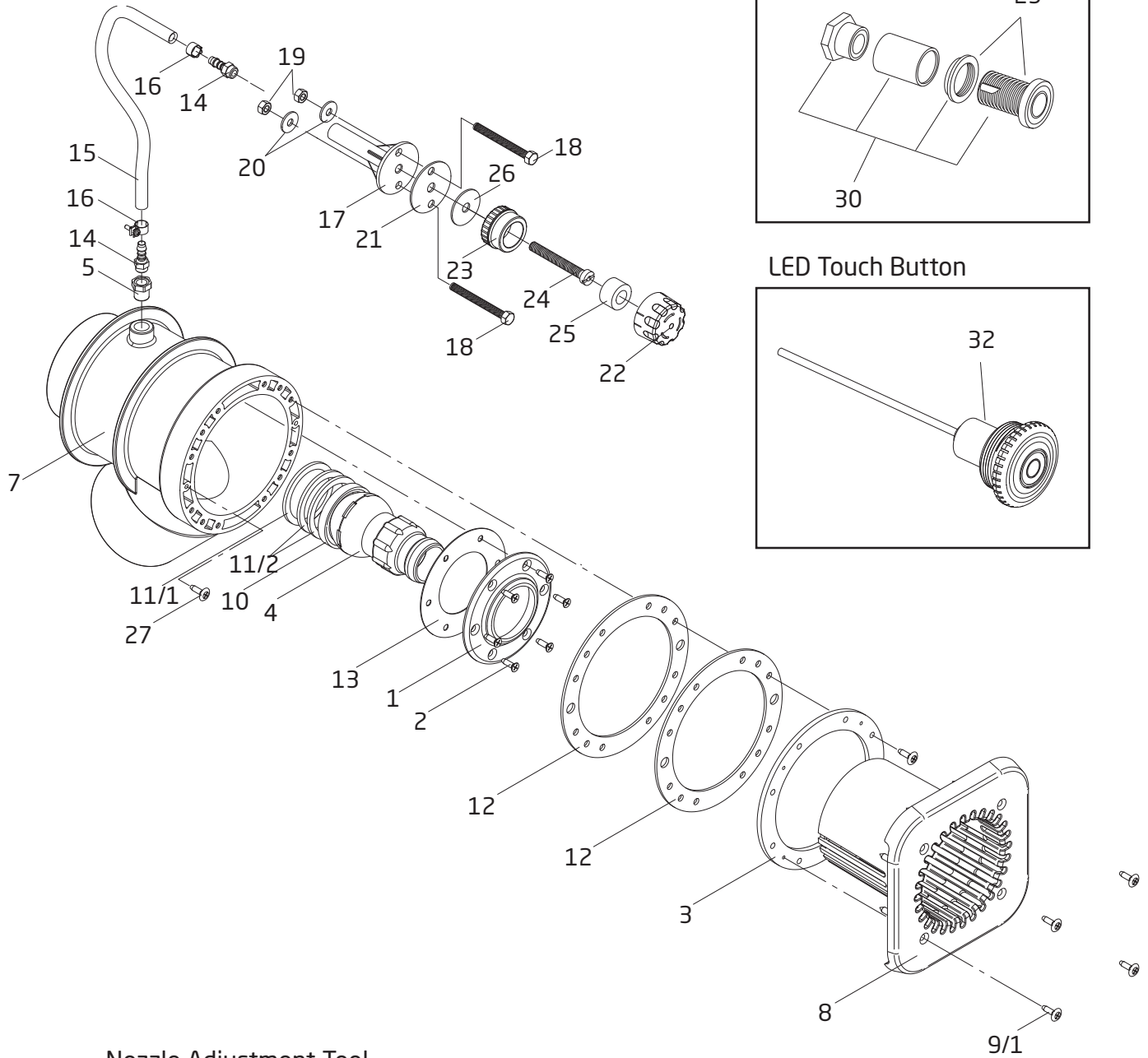
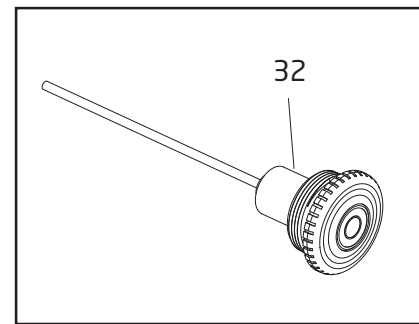
SwimJet System



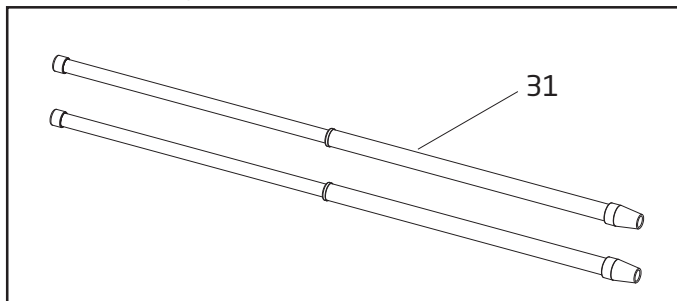
Air Button (prior to Nov. 2019)



LED Touch Button



Nozzle Adjustment Tool



Order#	Drawing #	Qty Required	Description
2306002009	1	1	Face Ring - Nozzle
5879006021	2	6	Thread Cutting Screw - Face Ring K60 x 20 A2
2308762004	3	1	Ring - Clamping
2302002857	4	1	Nozzle - Adjustable Flow 40mm
2308761001A	5 & 7	1	Housing w/ Bushing Reducer 16 x 1/4"
2308750003	8	1	Cover - Square White
5879650625	9/1	4	Screw - Square Cover, Phillips/Pan M6 x 25mm
2991000077	9/2	8	Screw - Clamping Ring, Phillips Flat Head M6 x 20mm
5879650625	9/3	8	Screw - Clamping Ring, Phillips/Pan M6 x 25mm
5879650640	9/4	8	Screw - Clamping Ring, Phillips/Pan M6 x 40mm
2991000038	9/5	4	Screw - Sq.cover (Ext. Ring) Slot/Pan M6 x 45mm
2302002056	10	1	Seat - Nozzle
2302002057	11/1	1	Spacer - Nozzle 6.2mm
2302002157	11/2	2	Spacer - Nozzle 4.0mm
2308750005	12	2	Gasket - Clamping Ring
2306002013	13	1	Gasket - Face Ring
2303004000	14-21	1	Holder w/ Hose Subassembly
2301001005	14	2	Nipple - Hose, Air Regulator, Plastic 1/4"
2301001007	15	1	Hose - Air Regulator, Plastic 8 x 3mm
2301001008	16	2	Clamp - Hose, Air Regulator 14/9 SS A4
2301001009	17	1	Holder - Air Regulator
2991000049	18	2	Screw - Air Holder, Slot/Pan 1/4-20 x 1-1/2"
2991000052	19	2	Nut - Air Holder, Hex Nut 1/4-20 SS
2991400024	20	2	Washer - Air Holder 1/4" SS
2301001013	21	1	Gasket - Air Holder 60 x 11 x 2mm
2301002000	22-26	1	Air Regulator (Sub-Assembly Complete) - White
2301002021	22	1	Top Part - Air Regulator - White
2301002022	23	1	Bottom Part - Air Regulator - White
2301002023	24	1	Screw w/ Hole - Air Regulator, Brass M10 x 80
2301002024	25	1	Ring - Hose, Air Regulator 16 x 30 x 18mm
2301002025	26	1	Gasket - Air Regulator 42 x 11 x 2mm
2991000059	27	2	Thread Cutting Screw - Jet Housing, Phillips/Pan 14 x 1
2304910010	Not Shown	1	Ring - Extension, Jet Housing (Flange)
2336002800A	32	1	LED Touch Button CPL - Pump

Order#	Drawing #	Qty Required	Description
2920280740	Not Shown	1	Control Box - BJC-7-GFCI-WIFI+CPB
2920280739	Not Shown	1	Control Box - BJC-7-GFCI-P2J3-WIFI+CP
2920280733	Not Shown	1	Control Box - 762-EC

Parts Below Are Unique to the BaduStream Shipped Prior to 11/2019

7400000026	29	1	#10 Air Button
7400000027	Not Shown	1	Air Tube 1/8" x 1' (Price per ft) (50' needed)
7400000062	30	1	Air Button w/ Concrete Adaptor
2920280728	Not Shown	1	Control Box - BJC-7-GFCI+CP (for BaduStream II Package A, B, & C)
2920280736	Not Shown	1	Control Box - BJC-7-GFCI-P2+CP (for BaduStream Package D)

Optional Parts

2308752006K	Not Shown	1	Winter Cover Kit - Cover, Gasket & 4 Screws
2308750003B	8.1	1	Cover - Square Black
2308760004	Not Shown	1	Cover - Round White
2308760004B	Not Shown	1	Cover - Round Black
2308760004G	Not Shown	1	Cover - Round Gray
2301002000B	22.1 - 26	1	Air Regulator (Sub-Assembly Complete) - Black
2301002029	22.1	1	Top Part - Air Regulator - Black
2301002028	23.1	1	Bottom Part - Air Regulator - Black
2308750006	Not Shown	1	Butterfly Gasket - Clamping Ring
2300022010	Not Shown	1	Cap - Nozzle & Hand Grip, Close Off
2300003010	Not Shown	1	Massage Hose 5 ft. w/Pulsator & Hand Grip
2300003310	Not Shown	1	Massage Hose 15 ft. w/ Pulsator & Hand Grip
2308799007	31	1	Kit - Nozzle Adjustment Tool