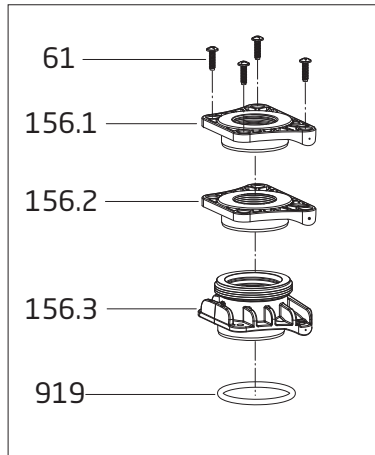
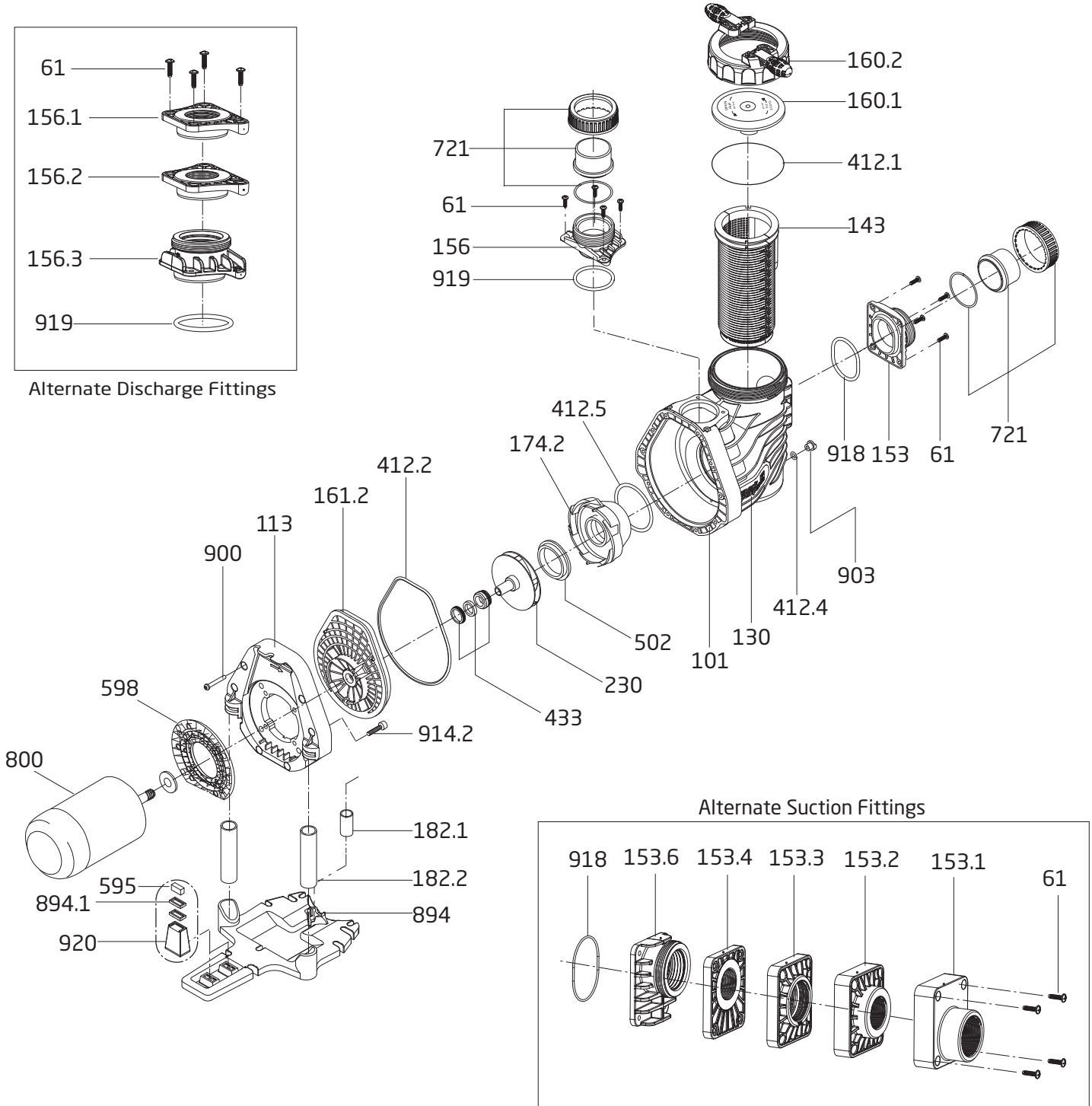


EasyFit® Series

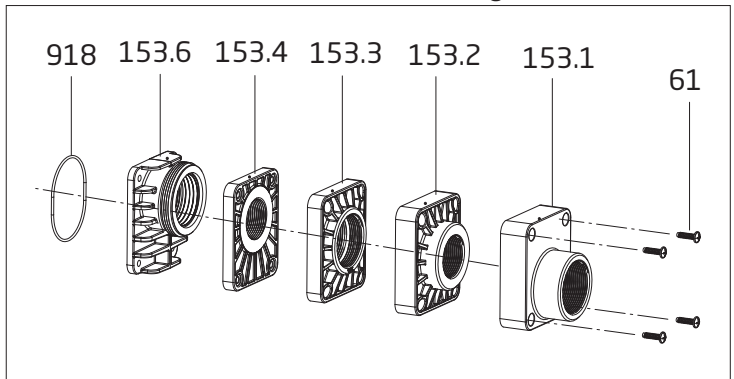
Universal Replacement Swimming Pool Pump



Alternate Discharge Fittings



Alternate Suction Fittings



Order#	Drawing #	Qty Required	Description
2901116010	160.1	1	Lid - Clear
2921116012B	Not Shown	1	Lid - Clear w/ LED Light
2921116022	160.2	1	Lid - Lock Ring w/ Handles
2921141210	412.1	1	O-ring - Lid 137 x 5mm
2901414303	143	1	Basket
2901410122	101	1	Casing
2901490300	903	1	Plug Winged - Casing Drain (1/4")
2302002062	412.4	1	O-ring - Drain Plug 11 x 2.5mm
2920141210	412.5	1	O-ring - Diffuser 90 x 5mm
2901413002	130	2	Name Plate - Orange
2901489400	894	1	Base
2901417421	174.2	1	Diffuser (-I & -II)
2921317421	174.2	1	Diffuser (1.65 & -III)
2901417422	174.2	1	Diffuser (-IV & -V)
2901417420	174.2	1	Diffuser (-VI)
2901423139	230	1	Impeller (-I) 103 x 5.3mm
2901423039	230	1	Impeller (-II) 113 x 5.3mm
2901423009R	230	1	Impeller (-III) 118 x 5.0mm
2901423009	230	1	Impeller (1.65) 124 x 5.0mm
2901423033	230	1	Impeller (-IV) 120 x 8.7mm
2901423017	230	1	Impeller (-V) 118 x 10.0mm
2901423013	230	1	Impeller (-VI) 120 x 7.8mm
2920343310	433	1	Mechanical Seal (20mm) - Carbon/Ceramic
2901441210	412.2	1	O-ring - Casing 206 x 6.0mm
2901416102	161	1	Seal Housing (-I, -II, -IV, -V, -VI)
2901416103A	161	1	Seal Housing (1.65, -III)
2991000096	914.2	4	Screw - 3/8-16 x 2" (Allen)
5879006023	61	8	Screw - 6 x 22mm, A4
2901441270	918	1	O-ring - Suction Fitting (All) 76 x 6.0mm
2901441282	919	1	O-ring - Discharge Fitting (All) 67 x 6.0mm
2901489420	920	1	Motor Support - Base (h=50mm)
2902089420	920.1	1	Motor Support - Base (h=57mm)
2901411304	113	1	Flange
2920889410	894.1	0-7	Lego Spacer
2991000091	900	10	Screw - Casing Hex/Slot M7 x 48mm SS
2920750200	502	1	Floating Eye Seal (-I & -II)
2901450700	502	1	Floating Eye Seal (-IV & -V)
2920110200	598	1	Motor Flange
2901415300A	153, 918	1	Fitting - Std Suction Kit
2901415600A	156, 919	1	Fitting - Std Discharge Kit
2901418213	182.1	1	Riser - Front
2901418223	182.2	2	Riser - Rear

Order#	Drawing #	Qty Required	Description
2921770005	721*	2	Set - 2" PVC Union CPL - (Std -IV, -V)
2500300926	721*	1	2" Union Package CPL Suction/ Discharge - (Std -IV, -V)
2921770006	721.1*	2	Set - 3" PVC Union CPL - (Std, -VI)
2500300918	721.1*	1	3" Union Package CPL - Suction/ Discharge - (Std -VI)

Optional Parts

Order#	Drawing #	Qty Required	Description
2901415306	153.1	1	Suction Fitting - 1.5" NPT (Ultra-Flow®)
2901415316	153.1	1	Suction Fitting - 2" NPT (Ultra-Flow®)
2901415307	153.2	1	Suction Fitting - 1.5" NPT (WhisperFlo® / IntelliFlo®)
2901415317	153.2	1	Suction Fitting - 2" NPT (WhisperFlo® / IntelliFlo® / Challenger®)
2901415305	153.3	1	Suction Fitting - 1.5" NPT (Super Pump® / SuperFlo®)
2901415315	153.3	1	Suction Fitting - 2" NPT (Super Pump® / SuperFlo®)
2901415308	153.4	1	Suction Fitting - 1.5" (Dura-Glas / Max-E-Glas™)
2901415318	153.4	1	Suction Fitting - 2" (Dura-Glas II / Max-E-Glas II™)
2901415323	153.6	1	Suction Fitting - 2" NPT (Dyna-Glas II™)
2901415602	156.1	1	Discharge Fitting - 1.5" NPT (Pentair®, Hayward®, STA-RITE®)
2901415612	156.2	1	Discharge Fitting - 2" NPT (Pentair®, Hayward®, STA-RITE®)
2901415623	156.3	1	Discharge Fitting - 2" NPT (STA-RITE® Dyna-Glas™)
2901418212	182.1	1	Riser - Front (Ultra-Flow® / Challenger®)
2901418213	182.1	1	Riser - Front (WhisperFlo® / IntelliFlo® / Dyna-Glas™)
2901418214	182.1	1	Riser - Front (Dura-Glas / Max-E-Glas™)
2901418215	182.1	1	Riser - Front (Super II®)
2901418222	182.2	2	Riser - Rear (Ultra-Flow® / Challenger®)
2901418223	182.2	2	Riser - Rear (WhisperFlo® / IntelliFlo® / Dyna-Glas™)
2901418221	182.2	2	Riser - Rear (Super Pump® / SuperFlo®)
2901418224	182.2	2	Riser - Rear (Dura-Glas / Dyna-Glas™)
2901418225	182.2	2	Riser - Rear (Super II®)

Go Kits For The EasyFit

Order#	Drawing #	Qty Required	Description
EasyFit-GOKIT	Not Shown	1	Seal GoKit*