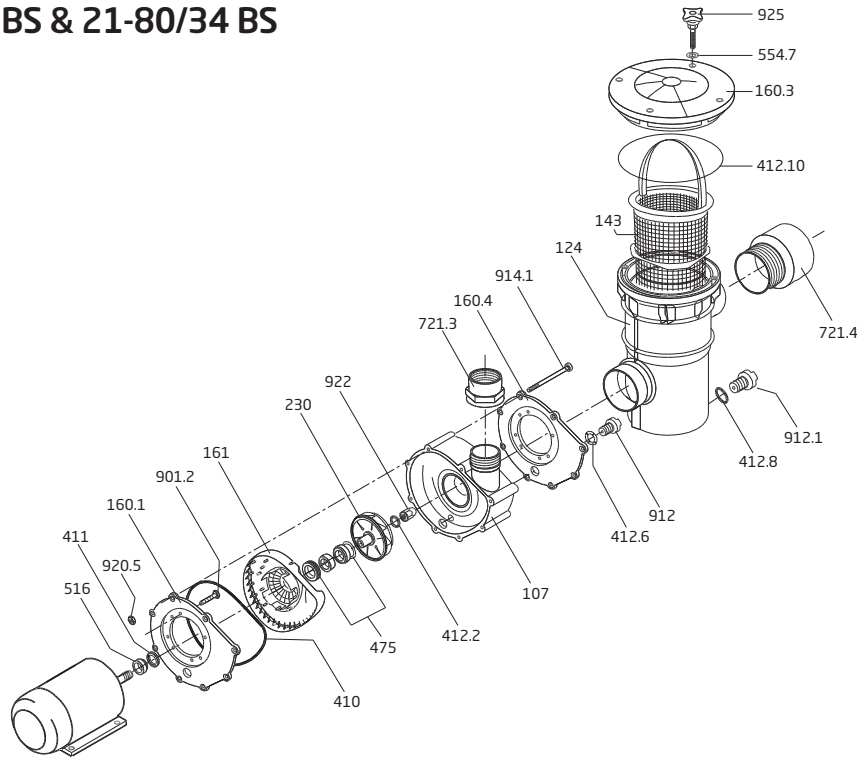


Model 21-80/ BS

Special Application Pump

Models: 21-80/33 BS & 21-80/34 BS



Order#	Drawing #	Qty Required	Description
2923592200	922	1	Nut - Impeller - Plastic w/ Brass Insert M12
5879340600	920.5	8	Nut - Casing Bolt M6 SS
2920912403	124	1	Strainer Tank
2920791211	912.1	1	Plug - Strainer Tank Drain (3/4")
2923591201	912	1	Plug - Casing Drain (1/4")
2923241231	412.8	1	O-ring - Strainer Tank Drain Plug 24 x 3.5mm
2923000006M	721.4	1	Suction Fitting (3" MPT x 4" Slip)
2920191401	910	8	Bolt - Casing, Panhead/Slot M6 X 97mm SS
2923190120	901.2	4	Bolt - Motor, Hex M8 x 16mm
2923151601	516	1	V-Ring 18mm
2920343310	433	1	Mechanical Seal (20mm) - Carbon/Ceramic
4920343310	433	1	Mechanical Seal (20mm) - SiC/SiC+EPDM
2920914300	143	1	Basket
2920916000	160.3	1	Lid - Clear
2920941210	412.10	1	O-ring - Lid 185 x 6mm
2920992501	925	4	Lid Knob w/ Bolt M10
2991000026	554.7	4	Washer - Lid Bolt M10
2923541229	412.2	1	O-ring - Shaft 16.9 x 2.75mm Viton
2923541220	412.6	1	O-ring - Casing Drain Plug 12 x 2.5mm

Order#	Drawing #	Qty Required	Description
2923141240	411	1	Shaft Washer 14/22 IT 400
2923141010	410	1	Gasket - Seal Housing
2923223015	230	1	Impeller (0.5 HP S.F. 1.8) 122 x 20mm
2923223014	230	1	Impeller (4.0 HP S.F. 1.25) 122 x 20mm
2923223035	230	1	Impeller (6.0 HP S.F. 1.0) 122 x 20mm
2923116100	161	1	Seal Housing
2923116010	160.1	1	Aluminum Flange - Motor
2923116040	160.4	1	Aluminum Flange - Casing
2923110726	107	1	Casing
2500223433	721.3	1	Adaptor - Casing (2-3/4" x 3" NPT/4")
2923141210	Not Shown	2	O-ring - Adaptor/Union 70 x 4.5mm

Optional Parts

2902099800	577	1	Union Wrench
------------	-----	---	--------------

Go Kits For The Model 21-80

SPK-2180-GOKIT	Not Shown	1	Seal GoKit*
----------------	-----------	---	-------------



* Please Note: That the Seal Go Kits includes the following items: Mechanical Seal, O-rings, Gaskets, & V-ring