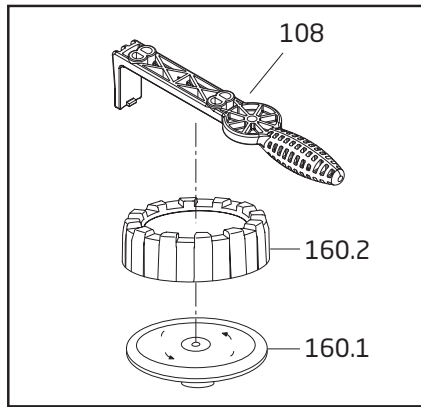
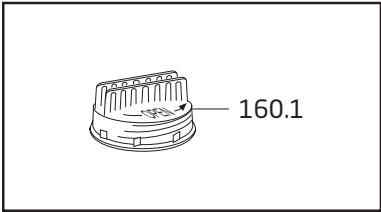
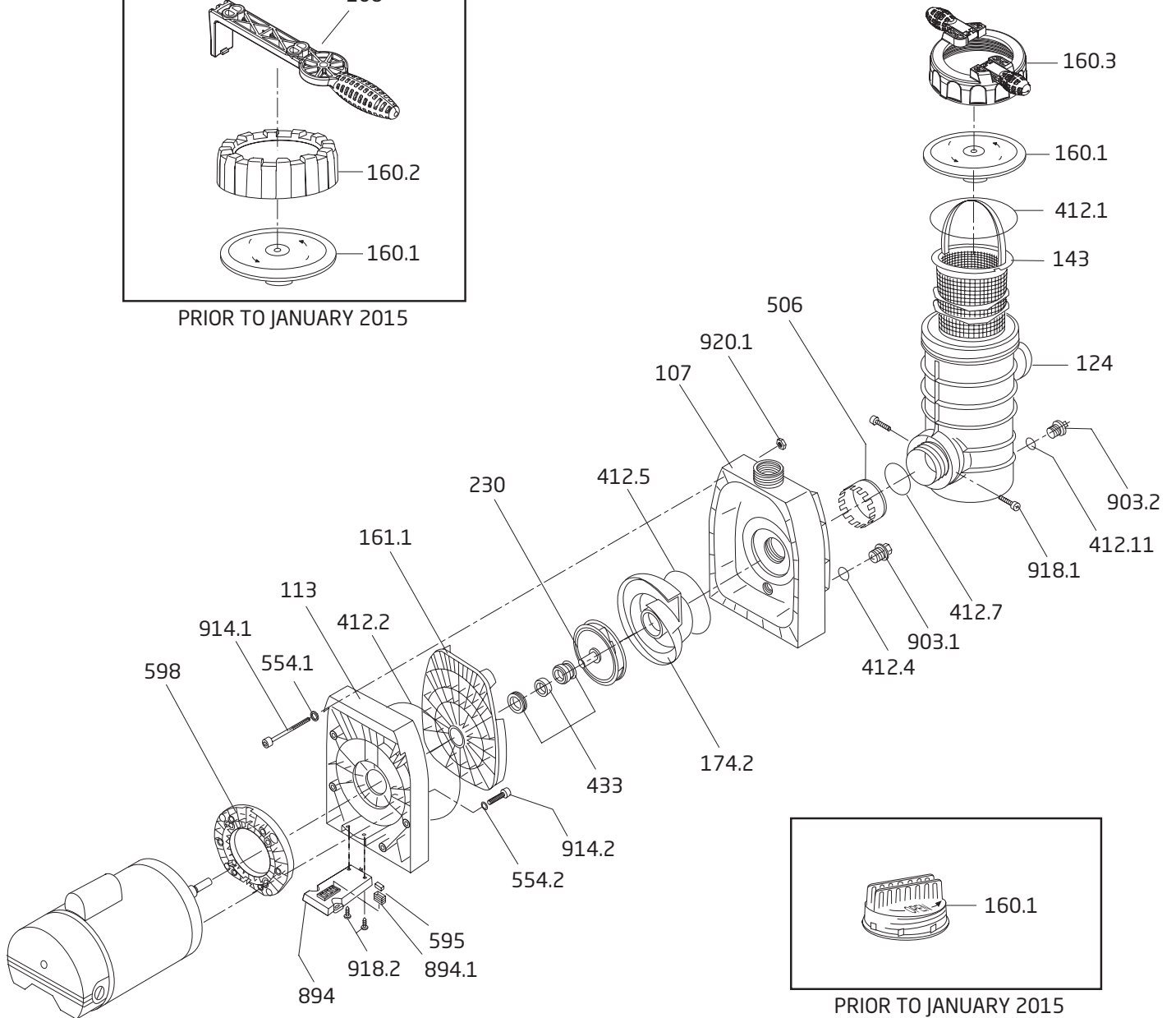


MODEL 433

Swimming Pool Pump



PRIOR TO JANUARY 2015



PRIOR TO JANUARY 2015

MODEL 433

Swimming Pool Pump



| Order # | Drawing Number | Qty Required | Description | List Price |
|------------|----------------|--------------|--|--------------|
| 5829340800 | 920.1 | 8 | NUT - CASING BOLT, BRASS M8 | \$ 3.50 |
| 2991000067 | 914.2 | 4 | BOLT - MOTOR HEX (3/8-16 x 2") SS | 4.40 |
| 2920391500 | 914.1 | 8 | BOLT - CASING BOLT, PHILLIPS M8 x 120mm SS | 13.00 |
| 2920791211 | 903.1 | 1 | PLUG - CASING DRAIN (3/4") | 4.10 |
| 2923591201 | 903.2 | 1 | PLUG - STRAINER TANK DRAIN (1/4") | 1.00 |
| 2920891030 | 918.2 | 2 | TAPPING SCREW - BASE, PHILLIPS 6.3 x 16mm | 2.00 |
| 2920791031 | 918.1 | 2 | TAPPING SCREW - STRAINER TANK, PHILLIPS # 8 x 1/2" | 0.60 |
| 2920889403 | 894 | 1 | BASE | 8.50 |
| 2920110200 | 598 | 1 | MOTOR FLANGE - 56 FRAME | 15.40 |
| 2920889410 | 894.1 | 0-2 | LEGO SPACER (QTY DEPENDS ON MOTOR MAKE) | 0.60 |
| 2991400035 | 554.2 | 4 | WASHER - MOTOR BOLT (3/8") SS | 0.70 |
| 5871250800 | 554.1 | 8 | WASHER - CASING BOLT M8 SS | 0.70 |
| 2920750600 | 506 | 1 | LOCK RING (TANK) | 8.30 |
| 2920343310 | 433 | 1 | MECHANICAL SEAL (20mm) COMPLETE | 57.70 |
| 2302002062 | 412.11 | 1 | O-RING - STRAINER TANK DRAIN PLUG 11 x 2.5mm | 1.40 |
| 2920741271 | 412.7 | 1 | O-RING - STRAINER TANK 57 x 4.5mm | 3.30 |
| 2920141210 | 412.5 | 1 | O-RING - DIFFUSER 90 x 5mm | 3.50 |
| 2923241231 | 412.4 | 1 | O-RING - CASING DRAIN PLUG (3/4") 24 x 3.5mm | 0.90 |
| 2920341220 | 412.2 | 1 | O-RING - CASING 215 x 6mm | 9.00 |
| 2921141210 | 412.1 | 1 | O-RING - LID 137 x 5mm | 5.30 |
| 2920823000 | 230 | 1 | IMPELLER (-I) 0.75 HP S.F. 1.0 102 / 3.5mm | 85.20 |
| 2920825010 | 230 | 1 | IMPELLER (-II) 1.0 HP S.F. 1.0 114 / 3.5mm | 85.20 |
| 2920825000 | 230 | 1 | IMPELLER (-III) 1.5 HP S.F. 1.0 122-130 / 3.5mm | 85.20 |
| 2920826000 | 230 | 1 | IMPELLER (-IV) 2.0 HP S.F. 1.0 122 / 6mm | 85.20 |
| 2920827000 | 230 | 1 | IMPELLER (-V) 2.5 HP S.F. 1.0 128 / 7mm | 85.30 |
| 2920829000 | 230 | 1 | IMPELLER (-VI) 3.0 HP S.F. 1.15 130 / 11mm | 85.20 |
| 2920817403 | 174.1 | 1 | DIFFUSER | 28.10 |
| 2920816103 | 161.1 | 1 | SEAL HOUSING | 41.10 |
| 2901116010 | 160.1 | 1 | LID - CLEAR | 20.30 |
| 2921116012 | NOT SHOWN | 1 | LID - CLEAR WITH LED LIGHT | 44.60 |
| 2921116022 | 160.2 | 1 | LOCK RING WITH HANDLES - LID | 37.20 |
| 2920814300 | 143 | 1 | BASKET - COMPLETE | 16.70 |
| 2920812430 | 124 | 1 | STRAINER TANK (1.5") PP/GLASS (09/1994) | DISCONTINUED |
| 2920812431 | 124 | 1 | STRAINER TANK (2.0") PP/GLASS | 137.50 |
| 2920311300 | 113 | 1 | FLANGE | 66.40 |
| 2920810103 | 107 | 1 | CASING (1.5" x 2.0") PP/GLASS (09/1994) | DISCONTINUED |
| 2920810105 | 107 | 1 | CASING (2.0" x 2.0") PP/GLASS | 160.30 |

Parts Below Are Unique To The Model 433 Shipped Prior To August, 1988

| | | | | |
|------------|-----------|---|------------------------|--------------|
| 2920716000 | NOT SHOWN | 1 | LID - EXTERNAL THREAD | DISCONTINUED |
| 2920741210 | 412.1 | 1 | O-RING - LID 146 X 7mm | 7.70 |
| 2920314300 | 143 | 1 | BASKET - COMPLETE | 10.60 |
| 2920312431 | 124 | 1 | STRAINER TANK | DISCONTINUED |

Parts Below Are Unique To The Model 433 Shipped Prior To January, 2015


| | | | | |
|------------|-------|---|-------------------------|-------|
| 2920816000 | 160 | 1 | LID - ONE PIECE | 60.50 |
| 2901116020 | 160.2 | 1 | LOCK RING - LID | 21.90 |
| 2921157700 | 108 | 1 | SPANNER (OPTIONAL PART) | 14.30 |

****SEE NEXT PAGE FOR ADDITIONAL PARTS**

MODEL 433

Swimming Pool Pump



| Order # | Drawing Number | Qty Required | Description | List Price |
|---|----------------|--------------|---|------------|
| Go Kits For The Model 433 | | | | |
| SPK-433-GOKIT | | 1 | KIT INCLUDES THE FOLLOWING PARTS: | \$ 81.00 |
|  | | | 2920141240 - O-RING STRAINER TANK DRAIN PLUG 11 x 2.5mm | |
| | | | 2920741271 - O-RING STRAINER TANK 57 x 4.5mm | |
| | | | 2921141210 - O-RING LID 137 x 5mm | |
| | | | 2920141210 - O-RING DIFFUSER 90 x 5mm | |
| | | | 2920343310 - MECHANICAL SEAL (20mm) CPL | |
| | | | 2923241231 - O-RING CASING DRAIN PLUG (3/4") 24 x 3.5mm | |
| | | | 2920341220 - O-RING CASING 215 x 6mm | |

REPLACEMENT MOTORS FOR SPECK PUMP MODELS - BADU SUPERPRO, EASYFIT, S90, 433, 72, & 98

| Order # | MFR # | Model | THP | HP | S.F. | Volts | Frame | List Price |
|--|----------|-------|---------------|------|------|-------------|-------|------------|
| <u>SINGLE SPEED, Standard Efficient Max Rated, 56 Frame, C-Face, 7/16" Threaded Shaft</u> | | | | | | | | |
| K63XEAT5224 | EB227 | -I | 0.98 | 0.75 | 1.25 | 115/230 | 56 | \$ 358.80 |
| K63CXEAU5225 | EB228 | -II | 1.25 | 1.0 | 1.25 | 115/230 | 56 | 376.80 |
| K63CXEAV5226 | EB229 | -III | 1.65 | 1.5 | 1.10 | 115/230 | 56 | 417.40 |
| K63CXEAW5227 | EB230 | -IV | 2.25 | 2.0 | 1.10 | 115/230 | 56 | 459.80 |
| <u>TWO SPEED, Premium Energy Efficient, 56 Frame, C-Face, 7/16" Threaded Shaft</u> | | | | | | | | |
| B63GZABR1036 | ASB2973H | -II | 1.25 | 0.75 | 1.67 | 230 | 56 | 583.70 |
| B63GZABS1037 | ASB2975 | -III | 1.65 | 1.0 | 1.65 | 230 | 56 | 597.30 |
| B63GZABT1038 | ASB2977 | -IV | 2.25 | 1.5 | 1.47 | 230 | 56 | 645.60 |
| B63GZABU1039 | ASB2979 | -V | 2.60 | 2.0 | 1.30 | 230 | 56 | 817.40 |
| <u>SINGLE SPEED, Premium Energy Efficient, 56 Frame, C-Face, 7/16" Threaded Shaft</u> | | | | | | | | |
| K63CXDGF5167 | ASB657 | -I | 0.98 | 0.5 | 1.95 | 208-230/115 | 56J | 374.70 |
| K63CXDGG5168 | ASB638 | -II | 1.25 | 0.75 | 1.67 | 208-230/115 | 56J | 402.40 |
| K63CXDGH5169 | ASB654 | -III | 1.65 | 1.0 | 1.65 | 208-230/115 | 56J | 456.20 |
| K63CXDGJ5170 | ASB796 | -IV | 2.25 | 1.5 | 1.50 | 208-230/115 | 56J | 636.10 |
| K63CXDGK5171 | ASB809 | -V | 2.60 | 2.0 | 1.30 | 208-230 | 56J | 767.40 |
| K63CXDGL5172 | ASB818 | -VI | 3.45 | 3.0 | 1.15 | 208-230 | 56J | 945.70 |
| <u>THREE PHASE, 56 Frame, C-Face, 7/16" Threaded Shaft, 50/60Hz Motor</u> | | | | | | | | |
| P63GER4521 | EH282 | -I | 0.80 | 0.50 | 1.60 | 208-230/460 | 56J | 385.60 |
| P63GES4522 | EH451 | -II | 1.125 | 0.75 | 1.50 | 208-230/460 | 56J | 459.50 |
| P63GET4523 | EH514 | -III | 1.40 | 1.0 | 1.40 | 208-230/460 | 56J | 522.50 |
| P63GEW4524 | EH617 | -IV | 1.95 | 1.5 | 1.30 | 208-230/460 | 56J | 678.60 |
| P63GEY4525 | EH705 | -V | 2.40 | 2.0 | 1.20 | 208-230/460 | 56J | 752.80 |
| P63GEZ4526 | EH741 | -VI | 3.45 | 3.0 | 1.15 | 208-230/460 | 56J | 900.70 |
| <u>VARIABLE SPEED, 56 Frame, C-Face, 7/16" Threaded Shaft, 50/60Hz Motor</u> | | | | | | | | |
| M48AA85A01 | | -III | 1.65 | | | 208-230 | 56 | 801.80 |
| M48AA69D29 | | -V | 2.7 | | | 230 | 56 | 1,401.50 |
| M48AA91D29 | | -VI | 2.7 (w/ SVRS) | | | 230 | 56 | 1,576.60 |

Important Notice:

Replacement motors offered for sale, or installed in a residential pool for filtration use in California must be listed on the California Energy Commission website. (Title 20, sections 1601-1609) Please consult the CEC list, search company, Speck Pumps.