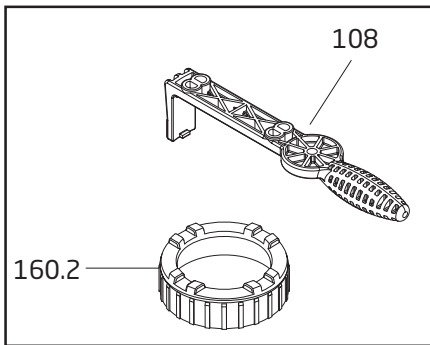
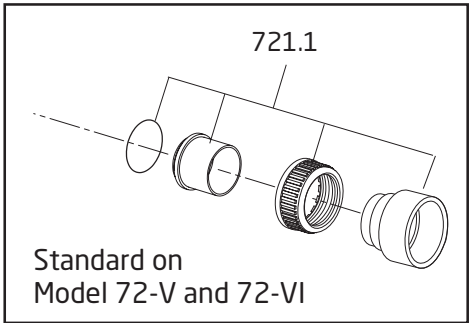
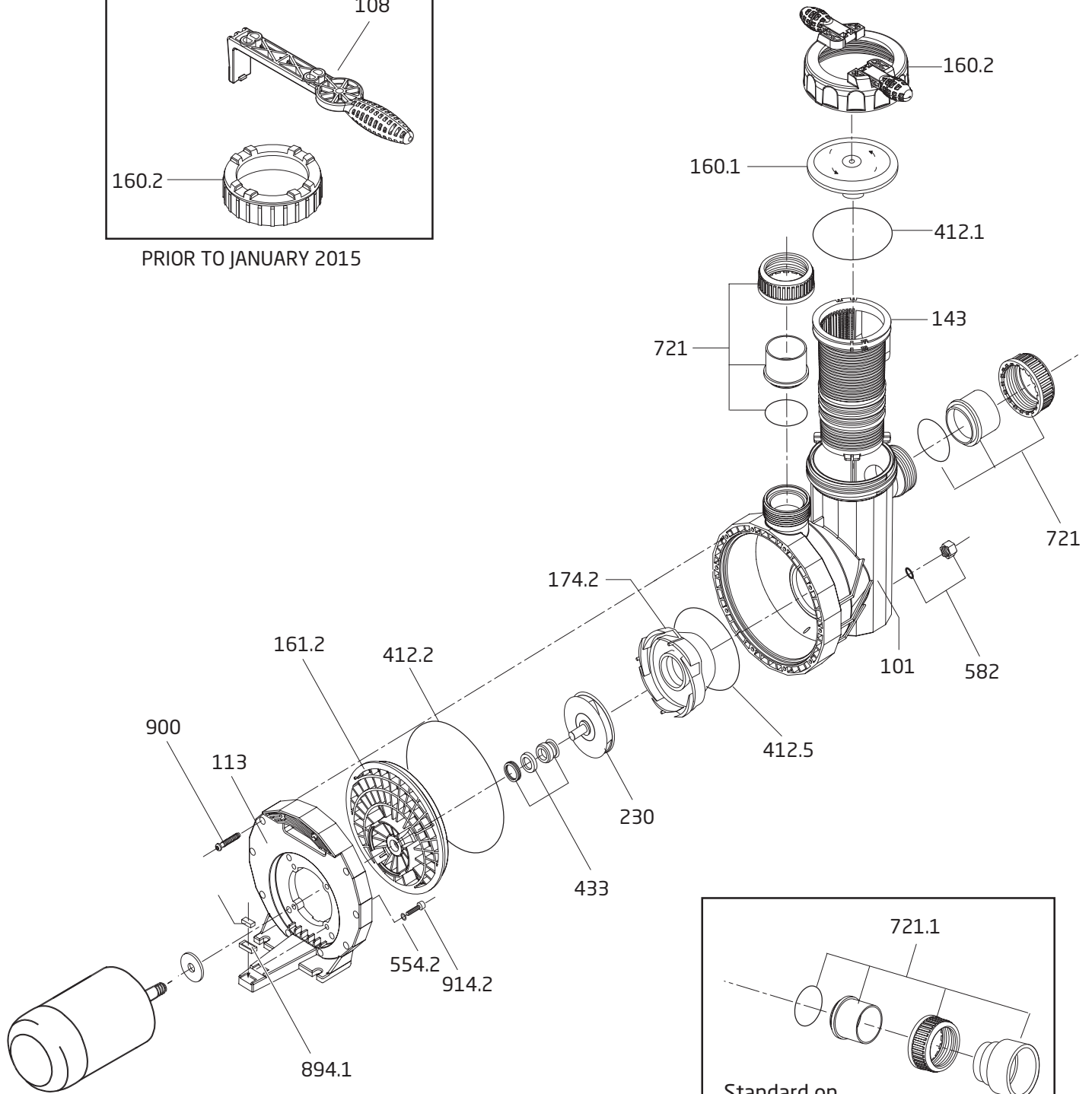


MODEL 72

Swimming Pool Pump



PRIOR TO JANUARY 2015



MODEL 72

Swimming Pool Pump



Order #	Drawing Number	Qty Required	Description	List Price
2921116022	160.2	1	LOCK RING WITH HANDLES - LID	\$ 37.20
2901116010	160.1	1	LID - CLEAR	20.30
2921116012B	NOT SHOWN	1	LID - CLEAR WITH LED LIGHT	44.60
2921141210	412.1	1	O-RING - LID 137 x 5mm	5.30
2901114300	143	1	BASKET - ONE PIECE	17.60
2921770005	721*	2	SET - 2" PVC UNION COMPLETE - (STANDARD -IV, -V)	14.30
2500300926	721*	1	2" PVC UNION PACKAGE CPL - SUCTION & DISCHARGE (STANDARD -IV, -V)	29.00
2921770006	721.1**	2	SET - 3" UNION COMPLETE - (STANDARD -VI)	33.20
2500300918	721.1**	1	3" UNION PACKAGE CPL - SUCTION & DISCHARGE (STANDARD -VI)	66.30
2901158200	582	1	DRAIN CAP 3/8" WITH GASKET - CASING	2.90
2901410101	101	1	CASING (PPGF30) - LIGHT GRAY	171.40
2920141210	412.5	1	O-RING - DIFFUSER 90 x 5mm	3.50
2901417422	174.2	1	DIFFUSER (-IV & -V)	33.50
2901417420	174.2	1	DIFFUSER (-VI)	25.40
2901423033	230	1	IMPELLER (-IV) 2.0 HP S.F. 1.0 120/8.7mm	61.60
2901423017	230	1	IMPELLER (-V) 2.5 HP S.F. 1.0 118/10.0mm	61.60
2901423013	230	1	IMPELLER (-VI) 3.5 HP S.F. 1.0 120/7.8mm	42.50
2901441220	412.2	1	O-RING - CASING 225 x 6mm	15.80
2920343310	433	1	MECHANICAL SEAL (20mm) COMPLETE	57.70
2901416100	161.2	1	SEAL HOUSING	28.60
2991000096	914.2	4	BOLT - MOTOR, HEX (3/8 - 16 x 1-1/2") SS	3.00
2991400035	554.2	4	WASHER - MOTOR BOLT (3/8") SS	0.70
2901411301	113	1	FLANGE	55.90
2920889410	894.1	2	LEGO SPACER	0.60
2991000091	900	10	SCREW - CASING HEX/SLOT M7 x 48mm SS	4.40
2901450700	NOT SHOWN	1	FLOATING EYE SEAL - WEAR RING (-IV & -V)	7.60

* 2" SUCTION & DISCHARGE UNION SET - INCLUDES NUT, AND O-RING

** 3" SUCTION & DISCHARGE UNION SET - INCLUDES NUT, O-RING, AND ADAPTOR

Parts Below Are Unique To The Model 72 Shipped Prior To January, 2015

2901116020	160.2	1	LOCK RING - LID	21.90
2921157700	108	1	SPANNER - LID (OPTIONAL PART)	14.30

Parts Below Are Unique To The Model 72 Shipped Prior To November, 2019

2901416101A	161.2	1	SEAL HOUSING	44.50
2921317420	174.2	1	DIFFUSER	50.40
2920423020	230	1	IMPELLER (-IV) 2.0 HP S.F. 1.0 118/11.5mm	52.20
2920523040	230	1	IMPELLER (-V) 2.5 HP S.F. 1.0 113/16.0mm	52.20
2921700003	230	1	IMPELLER (-VI) 3.5 HP S.F. 1.0 117/21.0mm	52.20

Motor Units For The Model 72

2072210020M	1	MOTOR UNIT COMPLETE (72-IV) 2.0 HP, SINGLE PHASE, EE	886.00
2072210027M	1	MOTOR UNIT COMPLETE (72-IV) 1.5 HP, THREE PHASE	1,023.00
2072260020M	1	MOTOR UNIT COMPLETE (72-V) 2.5 HP, SINGLE PHASE	1,016.00
2072320000M	1	MOTOR UNIT COMPLETE (72-VI) 3.5 HP, SINGLE PHASE	1,140.00
2072320027M	1	MOTOR UNIT COMPLETE (72-VI) 3.0 HP, THREE PHASE	1,142.00

Go Kits For The Model 72

SPK-72-GOKIT	1	KIT INCLUDES THE FOLLOWING PARTS:	84.60
		2921141210 - O-RING LID 137 x 5mm	
		2920141210 - O-RING DIFFUSER 90 x 5mm	
		2920343310 - MECHANICAL SEAL (20mm) CPL	
		2901441220 - O-RING CASING 225 x 6mm	
		2901141211 - O-RING UNION 68 x 3.5mm	

REPLACEMENT MOTORS



REPLACEMENT MOTORS FOR SPECK PUMP MODELS - BADU SUPERPRO, EASYFIT, S90, 433, 72, & 98

Order #	MFR #	Model	THP	HP	S.F.	Volts	Frame	List Price
<i>SINGLE SPEED, Standard Efficient Max Rated, 56 Frame, C-Face, 7/16" Threaded Shaft</i>								
K63JXEAT5224	EB227	-I	0.98	0.75	1.25	115/230	56	\$ 358.80
K63CXEAU5225	EB228	-II	1.25	1.0	1.25	115/230	56	376.80
K63CXEAV5226	EB229	-III	1.65	1.5	1.10	115/230	56	417.40
K63CXEAW5227	EB230	-IV	2.25	2.0	1.10	115/230	56	459.80
<i>TWO SPEED, Premium Energy Efficient, 56 Frame, C-Face, 7/16" Threaded Shaft</i>								
B63GZABR1036	ASB2973H	-II	1.25	0.75	1.67	230	56	583.70
B63GZABS1037	ASB2975	-III	1.65	1.0	1.65	230	56	597.30
B63GZABT1038	ASB2977	-IV	2.25	1.5	1.47	230	56	645.60
B63GZABU1039	ASB2979	-V	2.60	2.0	1.30	230	56	817.40
<i>SINGLE SPEED, Premium Energy Efficient, 56 Frame, C-Face, 7/16" Threaded Shaft</i>								
K63CXDGF5167	ASB657	-I	0.98	0.5	1.95	208-230/115	56J	374.70
K63CXDGG5168	ASB638	-II	1.25	0.75	1.67	208-230/115	56J	402.40
K63CXDGH5169	ASB654	-III	1.65	1.0	1.65	208-230/115	56J	456.20
K63CXDGJ5170	ASB796	-IV	2.25	1.5	1.50	208-230/115	56J	636.10
K63CXDGK5171	ASB809	-V	2.60	2.0	1.30	208-230	56J	767.40
K63CXDGL5172	ASB818	-VI	3.45	3.0	1.15	208-230	56J	945.70
<i>THREE PHASE, 56 Frame, C-Face, 7/16" Threaded Shaft, 50/60Hz Motor</i>								
P63GER4521	EH282	-I	0.80	0.50	1.60	208-230/460	56J	385.60
P63GES4522	EH451	-II	1.125	0.75	1.50	208-230/460	56J	459.50
P63GET4523	EH514	-III	1.40	1.0	1.40	208-230/460	56J	522.50
P63GEW4524	EH617	-IV	1.95	1.5	1.30	208-230/460	56J	678.60
P63GEY4525	EH705	-V	2.40	2.0	1.20	208-230/460	56J	752.80
P63GEZ4526	EH741	-VI	3.45	3.0	1.15	208-230/460	56J	900.70
<i>VARIABLE SPEED, 56 Frame, C-Face, 7/16" Threaded Shaft, 50/60Hz Motor</i>								
M48AA85A01		-III	1.65			208-230	56	801.80
M48AA69D29		-V	2.7			230	56	1,401.50
M48AA91D29		-VI	2.7 (w/ SVRS)			230	56	1,576.60

Important Notice:

Replacement motors offered for sale, or installed in a residential pool for filtration use in California must be listed on the California Energy Commission website. (Title 20, sections 1601-1609) Please consult the CEC list, search company, Speck Pumps.