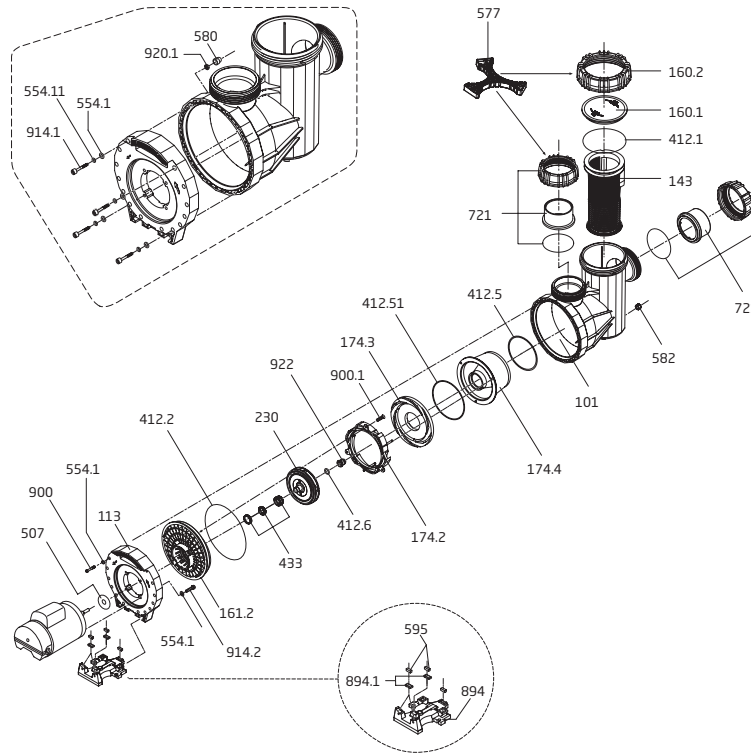


# Model 95

High Performance Plastic Pump



## Model 95-VIII



| Order#     | Drawing # | Description                             | List Price (\$) |
|------------|-----------|---|-----------------|
| 2902016020 | 160.2     | Lock Ring - Lid                         | 47.10           |
| 2902016010 | 160.1     | Lid - Clear                             | 45.20           |
| 2902041210 | 412.1     | O-ring - Lid 175 x 6.5mm                | 44.50           |
| 2902099800 | 577       | Spanner - Lid, Unions                   | 55.40           |
| 2902014300 | 143       | Basket - One Piece                      | 28.70           |
| 2901158200 | 582       | Drain Cap w/ Gasket - Casing            | 3.00            |
| 2902010158 | 101       | Casing                                  | 336.00          |
| 2991000168 | 914.1     | Bolt - Casing M6 x 65mm Hex Cap (x4)    | 1.60            |
| 5871250600 | 554.11    | Washer - Casing Bolt M6 (x4)            | 0.70            |
| 2921192015 | 920.1     | Nut - M6 Serrated - Casing Bolt (x4)    | 1.70            |
| 2902058000 | 580       | Protective Cap - Casing Bolt (x4)       | 2.80            |
| 2902041252 | 412.5     | O-ring - Diffuser 123 x 6mm             | 4.00            |
| 2902017425 | 174.2     | Diffuser                                | 15.30           |
| 2902017421 | 174.4     | Confuser For Diffuser                   | 56.50           |
| 2902017424 | 174.3     | Cover Disk - Diffuser                   | 15.70           |
| 2902041251 | 412.51    | O-ring - Confuser 145 x 2.5mm           | 15.30           |
| 2920343310 | 433       | Mechanical Seal (20mm) - Carbon/Ceramic | 60.40           |
| 2923541229 | 412.6     | O-ring - Shaft 16.9 x 2.75mm            | 5.40            |
| 2902041220 | 412.2     | O-ring - Casing 265 X 6mm               | 50.00           |
| 2902012112 | 230       | Impeller (-VIII) 5.0 THP 123 x 12.5mm   | 67.50           |

| Order#     | Drawing # | Description                                      | List Price (\$) |
|------------|-----------|--|-----------------|
| 2923592200 | 922       | Nut - Impeller - Plastic w/ Brass Insert M12     | 17.60           |
| 2902016121 | 161.2     | Seal Housing 150mm                               | 65.40           |
| 5879120835 | 914.2     | Bolt - Motor Allen Head M8 x 35mm (x4)           | 4.30            |
| 5871250800 | 554.1     | Washer - Motor Bolt - 8.4mm (x4)                 | 0.70            |
| 2902011300 | 113       | Flange   | 76.20           |
| 5879825522 | 900.1     | Screw - Diffuser - 5.5 x 22mm (x3)               | 2.70            |
| 2991000091 | 900       | Screw - Casing - M7 x 48mm Hex Washer Head (x12) | 4.60            |
| 2902089400 | 894       | Base - Motor                                     | 43.80           |
| 2901489420 | Not Shown | Motor Support - Motor Base                       | 4.60            |
| 2902090020 | Not Shown | Screw - Base - 4 x 16mm (x2)                     | 1.00            |
| 2920359501 | 595       | Rubber Buffer - 10 x 10 x 27mm (x2)              | 4.40            |
| 2920889420 | 595.1     | Gasket - Motor Support 1.4" x 7/16" x 1"         | 0.80            |
| 2920889410 | 894.1     | Lego (x10)                                       | 0.60            |
| 2923151601 | Not Shown | V-ring 18mm                                      | 10.40           |
| 2991000170 | Not Shown | Socket Wrench Ext. Tool - Hex                    | 29.60           |
| 2902072154 | 721       | 4" Union Half Set (x2)                           | 76.30           |

### Go Kits for the Model 95

|              |           |             |        |
|--------------|-----------|-------------|--------|
| SPK-95-GOKIT | Not Shown | Seal GoKit* | 172.30 |
|--------------|-----------|-------------|--------|

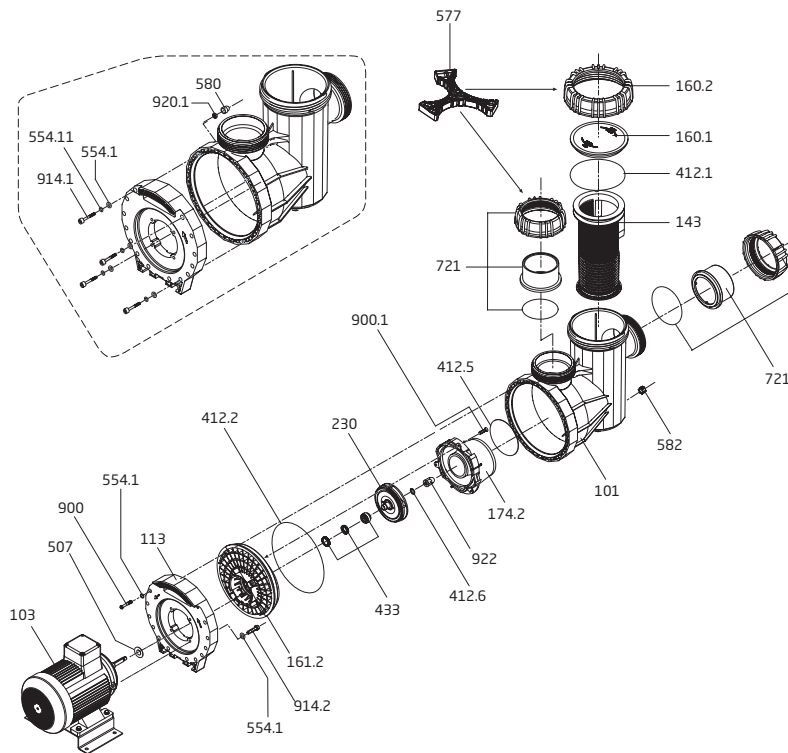
\* Please Note: That Seal GoKit includes the following items: Mechanical Seal (20mm) Carbon/Ceramic & O-rings.

# Model 95

High Performance Plastic Pump



## Model 95-IX & 95-X



| Order#      | Drawing # | Description  | List Price (\$) |
|-------------|-----------|--|-----------------|
| 2902016020  | 160.2     | Lock Ring - Lid                                    | 47.10           |
| 2902016010  | 160.1     | Lid - Clear  | 45.20           |
| 2902041210  | 412.1     | O-ring - Lid 175 x 6.5mm                           | 44.50           |
| 2902099800  | 577       | Spanner - Lid, Unions                              | 55.40           |
| 2902014300  | 143       | Basket   | 28.70           |
| 2901158200  | 582       | Drain Cap w/ Gasket - Casing                       | 3.00            |
| 2902010158  | 101       | Casing   | 336.00          |
| 2991000168  | 914.1     | Bolt - Casing M6 x 65mm Hex Cap (x4)               | 1.60            |
| 5871250600  | 554.11    | Washer - Casing Bolt M6 (x4)                       | 0.70            |
| 2921192015  | 920.1     | Nut - M6 Serrated - Casing Bolt (x4)               | 1.70            |
| 2902058000  | 580       | Protective Cap - Casing Bolt (x4)                  | 2.80            |
| 2902041252A | 412.5     | O-ring - Diffuser 123 x 6mm                        | 4.00            |
| 2902017422  | 174.2     | Diffuser   | 15.30           |
| 2920343310  | 433       | Mechanical Seal (20mm) - Carbon/Ceramic            | 60.40           |
| 2923541229  | 412.6     | O-ring - Shaft 16.9 x 2.75mm                       | 5.40            |
| 2902041220  | 412.2     | O-ring - Casing 265 X 6mm                          | 50.00           |
| 2923223025  | 230       | Impeller (-IX) 5.0 HP S.F. 1.15; 115-122 x 20mm    | 91.40           |
| 2902023008  | 230       | Impeller (-IX) 7.5 HP; S.F. 1.15; 3PH - 127 x 20mm | 91.40           |
| 2923223037  | 230       | Impeller (-IX) 7.5 HP; S.F. 1.15; 1PH - 125 x 20mm | 91.40           |

| Order#     | Drawing # | Description                                      | List Price (\$) |
|------------|-----------|--|-----------------|
| 2923592200 | 922       | Nut - Impeller - Plastic w/ Brass Insert M12     | 17.60           |
| 2902016122 | 161.2     | Seal Housing 135mm                               | 65.40           |
| 5879120835 | 914.2     | Bolt - Motor Allen Head M8 x 35mm (x4)           | 4.30            |
| 5871250800 | 554.1     | Washer - Motor Bolt - 8.4mm (x4)                 | 0.70            |
| 2902011300 | 113       | Flange   | 76.20           |
| 2920850702 | 507       | Slinger (Splash Ring) 45 x 18 x 4mm              | 4.00            |
| 5879825522 | 900.1     | Screw - Diffuser - 5.5 x 22mm (x3)               | 2.70            |
| 2991000091 | 900       | Screw - Casing - M7 x 48mm Hex Washer Head (x12) | 4.60            |
| 2923000003 | 103       | Motor Base                                       | 118.80          |
| 2991000013 | Not Shown | Washer Lock 5/16" SS - Base (x4)                 | 0.50            |
| 2991000011 | Not Shown | Washer Flat 5/16" x 3/4" OD SS - Base (x4)       | 0.40            |
| 2991000015 | Not Shown | Bolt 5/16"-18 x 1" SS - Base (x4)                | 2.00            |
| 2991000034 | Not Shown | Nut 5/16"-18 SS - Base (x4)                      | 0.80            |
| 2991000170 | Not Shown | Socket Wrench Ext. Tool - Hex                    | 29.60           |
| 2902072154 | 721       | 4" Union Half Set (x2)                           | 76.30           |

### Go Kits for the Model 95

| SPK-95-GOKIT | Not Shown | Seal GoKit* | 172.30 |
|--------------|-----------|-------------|--------|
|--------------|-----------|-------------|--------|

\* Please Note: That Seal GoKit includes the following items: Mechanical Seal (20mm) Carbon/Ceramic & O-rings.