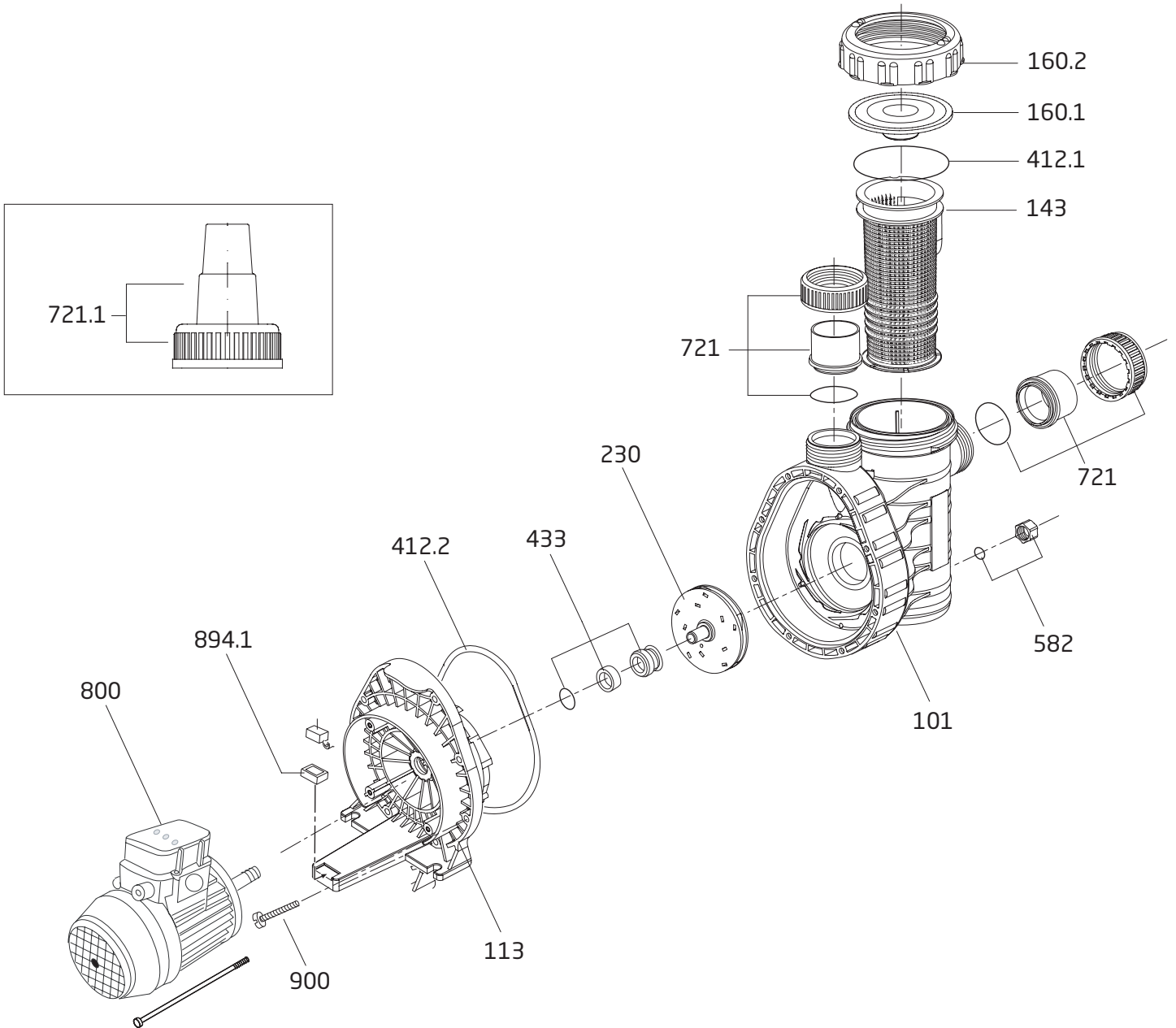


# MODEL A91-II VSP

Self-Priming Variable Speed  
Swimming Pool Pump



# MODEL A91-II VSP



Self-Priming Variable Speed  
Swimming Pool Pump

Order #	Drawing Number	Qty Required	Description	List Price
2901316020	160.2	1	LOCK RING - LID	\$ 10.00
2901316010	160.1	1	LID - CLEAR	12.70
2901341220	412.1	1	O-RING - LID 105 x 5mm	3.80
2500300912	721	1	COMPLETE UNION PACKAGE - SUCTION/DISCHARGE - SLIP/HOSE	26.40
2500300915	721.1	1	COMPLETE UNION PACKAGE - SUCTION/DISCHARGE - HOSE	16.20
2500300916	721	1	COMPLETE UNION PACKAGE - SUCTION/DISCHARGE - SLIP	16.20
2500300913	721	1	COMPLETE UNION PACKAGE - SUCTION/DISCHARGE - NPT	16.20
2500300909	721	2	HALF UNION SET - NPT (INCLUDES NUT, THREADED UNION END & O-RING)	8.20
2500300910	721	2	HALF UNION SET - SLIP (INCLUDES NUT, UNION END & O-RING)	8.20
2500300911	721.1	2	HALF UNION SET - HOSE (INCLUDES NUT, HOSE ADAPTOR & O-RING)	8.20
2901314300	143	1	BASKET - ONE PIECE	11.10
2901310101	101	1	CASING	52.50
2901158200	582	1	DRAIN CAP 3/8" WITH GASKET - CASING	2.90
2921623034	230	1	IMPELLER (-II & -II VSP) 1.0 THP (1.5 HP SPL) 98 / 9mm	21.90
2921606204	433	1	MECHANICAL SEAL (5/8") - CARBON/CERAMIC	15.20
2991000091	900	8	SCREW - CASING, HEX/WASHER/SLOT M7 x 48mm	4.40
2921641223	412.2	1	O-RING - CASING 165 x 6mm	8.10
2901316101	113	1	FLANGE/SEAL HOUSING	41.80
2920889410	894.1	1	LEGO (FOOT)	0.60
ECPM750011	800	1	MOTOR - VARIABLE SPEED 1.1 THP	739.50

## Go Kits For The Model A91

SPK-A91-GOKIT	1	KIT INCLUDES THE FOLLOWING PARTS:	31.70
		2901341220 - O-RING LID 105 x 5mm	
		2921606204 - MECHANICAL SEAL (5/8") - CARBON/CERAMIC	
		2921641223 - O-RING CASING 165 x 6mm	
		2920241220 - O-RING UNION 50 x 3mm	

