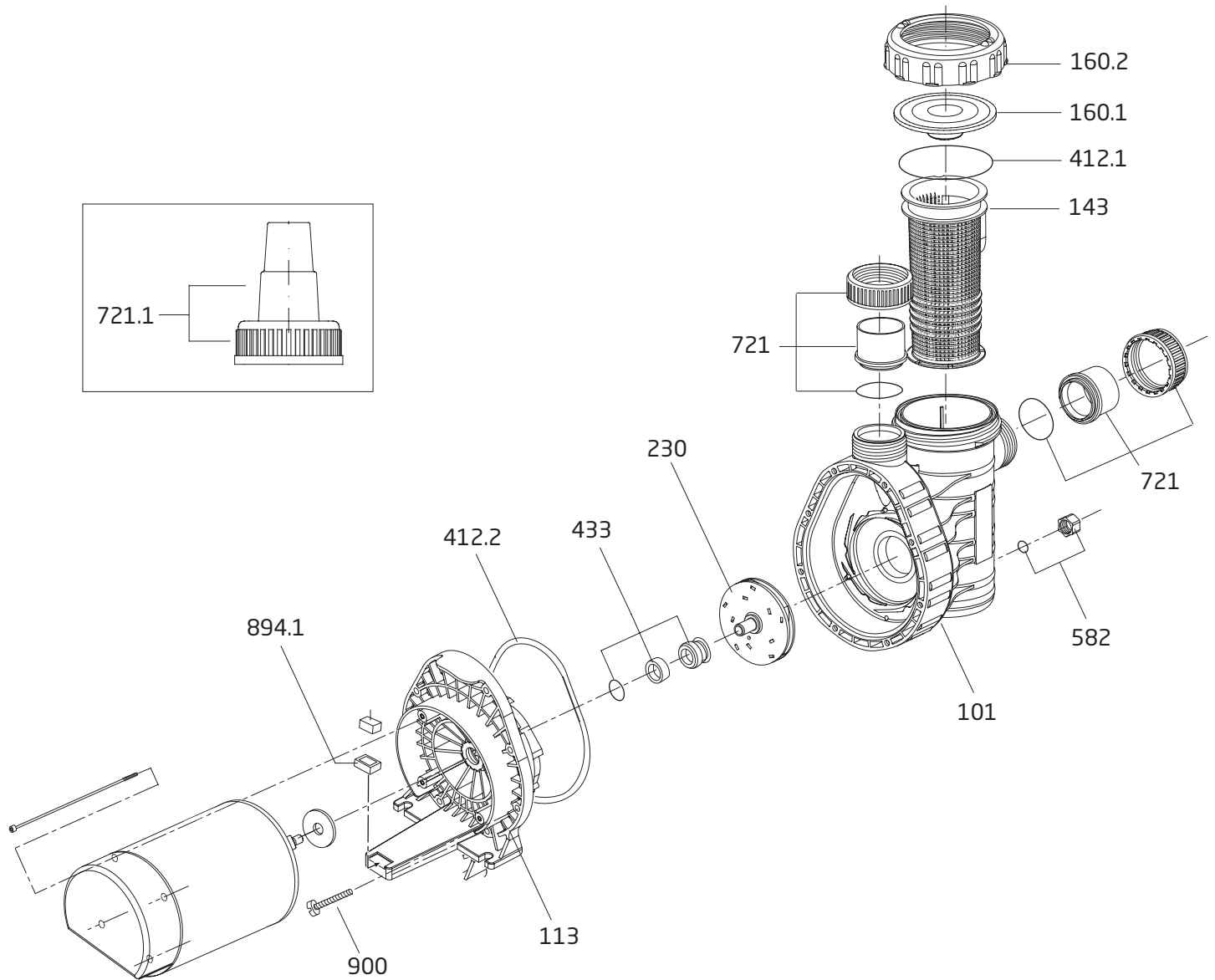


# MODEL A91 Series

Self-Priming Swimming Pool Pump



Model A91R, A91, A91-I, A91-II & A91-II VSP



# MODEL A91 Series

Self-Priming Swimming Pool Pump



## Model A91R, A91, A91-I, A91-II & A91-II VSP

Order #	Drawing Number	Qty Required	Description	List Price
2901316020	160.2	1	LOCK RING - LID	\$ 10.00
2901316010	160.1	1	LID - CLEAR	12.70
2901341220	412.1	1	O-RING - LID 105 x 5mm	3.80
2500300912	721	1	COMPLETE UNION PACKAGE - SUCTION/DISCHARGE - SLIP/HOSE	26.40
2500300915	721.1	1	COMPLETE UNION PACKAGE - SUCTION/DISCHARGE - HOSE	16.20
2500300916	721	1	COMPLETE UNION PACKAGE - SUCTION/DISCHARGE - SLIP	16.20
2500300913	721	1	COMPLETE UNION PACKAGE - SUCTION/DISCHARGE - NPT	16.20
2500300909	721	2	HALF UNION SET - NPT (INCLUDES NUT, THREADED UNION END & O-RING)	8.20
2500300910	721	2	HALF UNION SET - SLIP (INCLUDES NUT, UNION END & O-RING)	8.20
2500300911	721.1	2	HALF UNION SET - HOSE (INCLUDES NUT, HOSE ADAPTOR & O-RING)	8.20
2901314300	143	1	BASKET - ONE PIECE	11.10
2901310101	101	1	CASING	52.50
2901158200	582	1	DRAIN CAP 3/8" WITH GASKET - CASING	2.90
2921623131	230	1	IMPELLER (A91R) 0.5 THP (0.75 HP SPL) 92-100 / 4.5mm	21.90
2921623031	230	1	IMPELLER 0.5 THP (0.75 HP SPL) 100 / 4.5mm	21.90
2921623132	230	1	IMPELLER (-I) 0.75 THP (1.0 HP SPL) 98 / 6.5mm	21.90
2921623034	230	1	IMPELLER (-II & -II VSP) 1.0 THP (1.5 HP SPL) 98 / 9mm	21.90
2921606204	433	1	MECHANICAL SEAL (5/8") - CARBON/CERAMIC	15.20
2991000091	900	8	SCREW - CASING, HEX/WASHER/SLOT M7 x 48mm	4.40
2921641223	412.2	1	O-RING - CASING 165 x 6mm	8.10
2901316101	113	1	FLANGE/SEAL HOUSING	41.80
2920889410	894.1	1	LEGO (FOOT)	0.60

### Go Kits For The Model A91

SPK-A91-GOKIT	1	KIT INCLUDES THE FOLLOWING PARTS:	31.70
		2901341220 - O-RING LID 105 x 5mm	
		2921606204 - MECHANICAL SEAL (5/8") - CARBON/CERAMIC	
		2921641223 - O-RING CASING 165 x 6mm	
		2920241220 - O-RING UNION 50 x 3mm	



### REPLACEMENT MOTORS

Order #	MFR #	Model	THP	Specially Rated HP	S.F.	Volts	List Price
<b><u>SINGLE SPEED, 48 FRAME, SPLITPHASE MOTOR (WITHOUT BASE)</u></b>							
S55NXPTT8267	S55NXPTT-8267	-I	0.75	1.0	SPL	115	\$ 264.20
S55CXPTU8268	S55CXPTU-8268	-II	1.0	1.5	SPL	115	248.10
<b><u>TWO SPEED, 48 FRAME, SPLITPHASE MOTOR (WITHOUT BASE)</u></b>							
S48AC08D29	S48AC08D29	-I	0.75	1.0	SPL	115	323.80
C48AB35D29	C48AB35D29	-II	1.0	1.5	SPL	115	341.40
<b><u>SINGLE SPEED, 48 FRAME, PSC MOTOR, "ENERGY EFFICIENT" (WITHOUT BASE)</u></b>							
87520TAA11U	87520TA-A11U		0.50	0.75	SPL	115	207.10
8752PTAA13U	8752PTA-A13U	-I	0.75	1.0	SPL	115	216.80
8752QTAA12U	8752QTA-A12U	-II	1.0	1.5	SPL	115	242.60
K055RMD2237	K55JXRMD-2237	-I	0.75			230/115	364.70
K055RME2238	K55JXRME-2238	-II	1.0			230/115	379.20
<b><u>VARIABLE SPEED, 48 FRAME, PERMANENT MAGNET TEFC MOTOR</u></b>							
ECPM750011			1.1			115-230	739.50

All motors have a 3/8" thread stainless steel shaft

8125 Bayberry Road, Jacksonville, Florida 32256 USA | Phone: (904) 739-2626 | Fax: (904) 737-5261  
Website: [www.speck-pumps.com](http://www.speck-pumps.com)

REV.12/2019