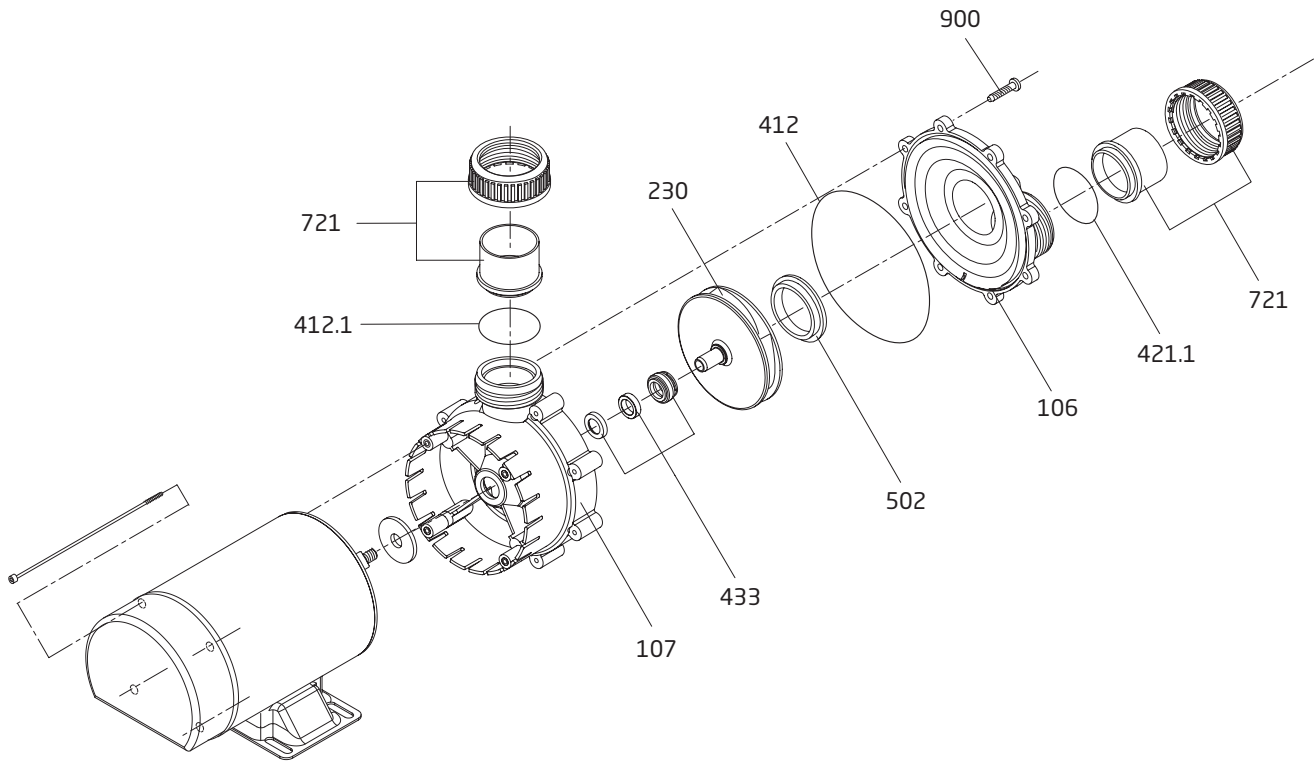


Model E45

Jetted Bathtub Pump



Order#	Drawing #	Qty Required	Description
2901141200	412	1	O-ring, Casing Lid 144 x 4mm
2921606204	433	1	Mechanical Seal (5/8") - Carbon/Ceramic
2920710751	107	1	Casing
2920750200	502	1	Floating Eye Seal (Wear Ring)
2920710600	106	1	Casing Lid
2920241220	421.1	2	O-ring, 50 x 3mm
2500310001	721	2	Nut - Union (Sawtooth)
2921672130	721.1	2	Union End 48.5mm - (1-1.5") Slip

Order#	Drawing #	Qty Required	Description
5879006035	900	8	Self Tapping Screw 6 x 35mm PH SS
2921923091	230	1	Impeller (-I) - 0.75 THP (1.0 HP SPL) 99 x 4.5mm
2921923043	230	1	Impeller (-II) - 1.0 THP (1.5 HP SPL) 98 x 9mm
2921923093	230	1	Impeller (-III) - 1.5 THP (2.0 HP SPL) 106 x 9mm
2500300916	Not Shown	1	Union Package CPL 1.5"
2500300910	Not Shown	2	Union Half Package 1.5"