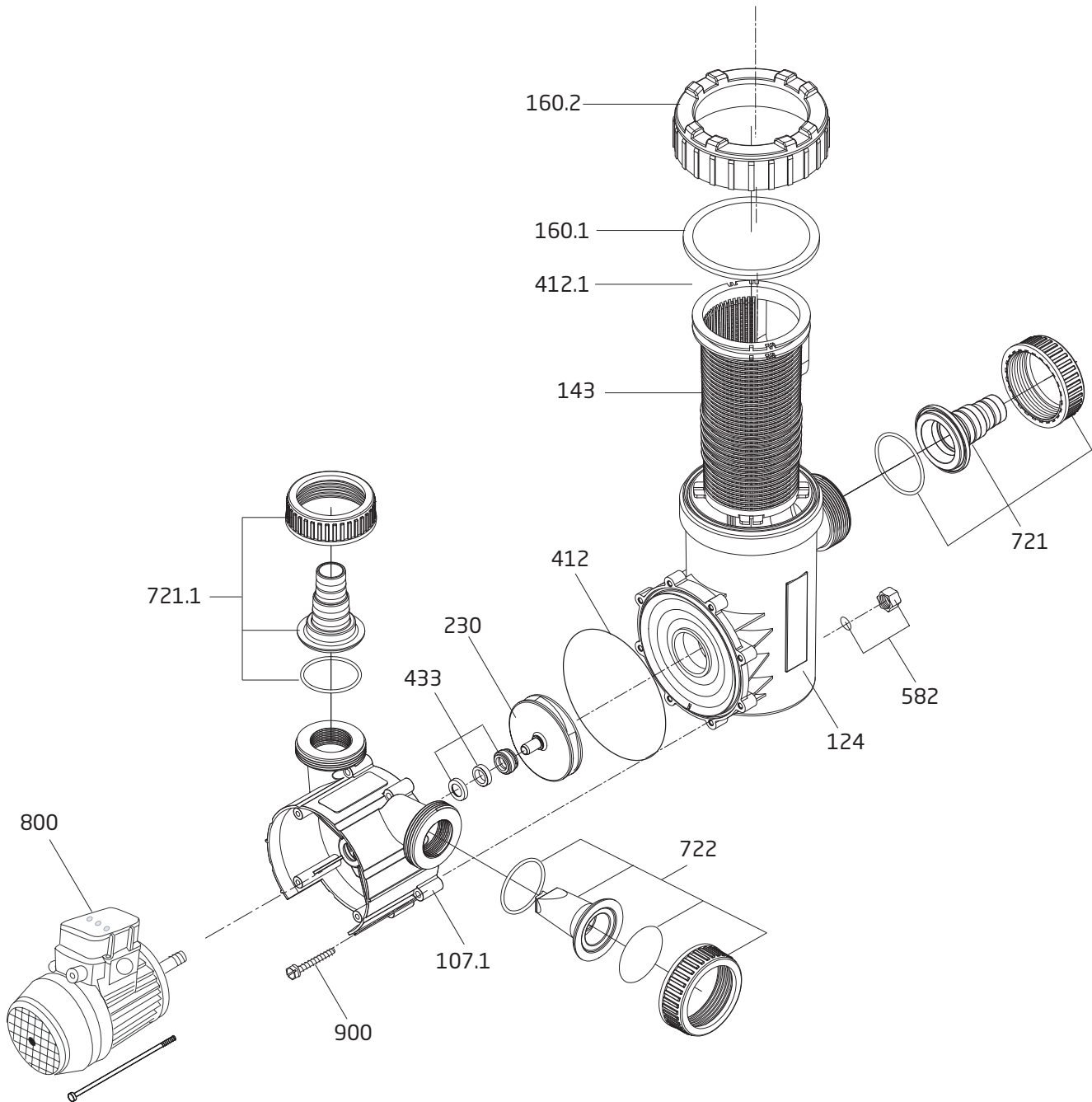


MODEL E71-II VHV

Above-Ground Variable Speed
Swimming Pool Pump



MODEL E71-II VHV



Above-Ground Variable Speed
Swimming Pool Pump

Order #	Drawing Number	Qty Required	Description	List Price
2901116020	160.2	1	LOCK RING - LID	\$ 21.90
2901116010	160.1	1	LID - CLEAR	20.30
2901141201	412.1	1	O-RING - LID 137 x 5mm	3.30
2901114300	143	1	BASKET - ONE PIECE	17.60
2901141200	412	1	O-RING - CASING 144 x 4mm	3.40
2921923193	230	1	IMPELLER (-II VHV) 1.1 THP 106 / 9mm W/ INSERT	54.20
2991000091	900	1	SCREW - CASING (HEX/WASHER/SLOT) M7 x 48mm	4.40
2901172115	107.1	1	CASING - DUAL DISCHARGE	41.00
2921606204	433	1	MECHANICAL SEAL (5/8") - CARBON/CERAMIC	15.20
2901110100B	124	1	STRAINER TANK	76.40
2901158201	582	1	ORANGE DRAIN CAP 3/8" WITH GASKET - CASING	2.90
2901191600K	722	1	PLUG KIT - DISCHARGE PORT ABS	15.90
ECPM750011	800	1	MOTOR - VARIABLE SPEED 1.1 THP	739.50

Union Packages

2901172114	721 & 721.1	1	UNION PACKAGE - SUCTION/DISCHARGE - HOSE ADAPTOR KIT	26.10
2500300930	NOT SHOWN	1	UNION PACKAGE - SUCTION/DISCHARGE - HOSE ADAPTOR & SLIP UNIONS	47.80
2500300931	NOT SHOWN	1	UNION PACKAGE - HOSE ADAPTOR (SUCTION/DISCHARGE) & NPT UNION (SUCTION ONLY)	32.70
2500300925	NOT SHOWN	1	UNION PACKAGE (1.5") - SUCTION/DISCHARGE - NPT/HOSE	30.20
2921770007	NOT SHOWN	1	UNION PACKAGE (1.5") SLIP - SUCTION	14.30
7300313002	NOT SHOWN	1	UNION PACKAGE (1.5") SLIP - DISCHARGE	15.90
7300313000	NOT SHOWN	1	UNION PACKAGE (2.0") SLIP - DISCHARGE	16.50
2921770001	NOT SHOWN	1	UNION PACKAGE (2.0") SLIP - SUCTION	14.30

Optional Parts

2921157700	NOT SHOWN	1	SPANNER - LID	14.30
2921116022	NOT SHOWN	1	LOCK RING WITH HANDLES - LID	37.20

Go Kit for the Model E71 Series

SPK-E71-GOKIT		1	KIT INCLUDES THE FOLLOWING PARTS:	27.00
---------------	--	---	-----------------------------------	-------



- 2901141201 - O-RING LID 137 x 5mm
- 2901141200 - O-RING CASING 144 x 4mm
- 2921606204 - MECHANICAL SEAL (5/8") CPL
- 2901141211 - O-RING UNION 68 x 3.5mm
- 2901141215 - O-RING UNION 60 x 3.5mm