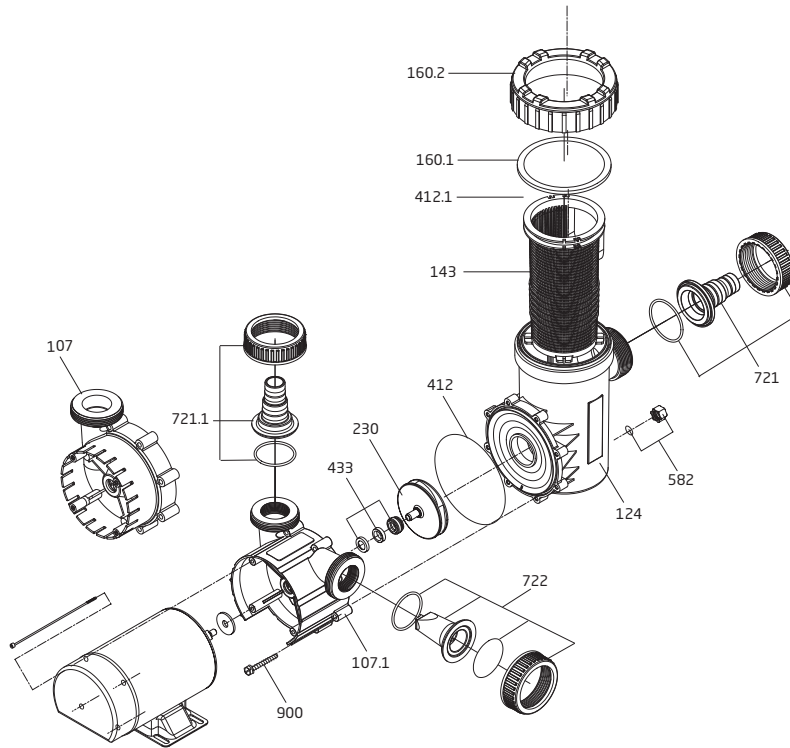


Model E71 VH Series



Above-Ground Swimming Pool Pump

Models: E71-I, E71-II, & E71-III



Order#	Drawing #	Description	List Price (\$)
2901116010	160.1	Lid - Clear	21.30
2921116012B	Not Shown	Lid - Clear w/ LED Light	46.70
2901116020	160.2	Lid - Lock Ring	22.90
2901141201	412.1	O-ring - Lid 137 x 5mm	3.50
2901114300	143	Basket	18.40
2901158201	582	Drain Cap 3/8" w/ Gasket	3.00
2901141200	412	O-ring - Casing 144 x 4mm	3.60
2921923091	230	Impeller (-I) - 0.75 THP (1.0 HP SPL) 99 x 4.5mm	57.00
2921923043	230	Impeller (-II) - 1.0 THP (1.5 HP SPL) 98 x 9mm	57.00
2921923193	230	Impeller (-III) - 1.5 THP (2.0 HP SPL) 106 x 9mm w/ Insert	57.00
2921606204	433	Mechanical Seal (5/8") - Carbon/Ceramic	15.90
2991000091	900	Screw - Casing (Hex/Washer/Slot) M7 x 48mm (x8)	4.60
2901172115	107.1	Casing - Dual Discharge	42.90
2901110100B	124	Strainer Tank	80.00
2901191600K	722	Plug Kit - Discharge Port ABS	16.60

Order#	Drawing #	Description	List Price (\$)
2901111840	Not Shown	Pump Casing Insert (-II)	9.30
2901111850	Not Shown	Pump Casing Insert (-III)	9.30

Union Packages

Order#	Drawing #	Description	List Price (\$)
2901172114	721 & 721.1	Union Package - Hose Adaptor Kit (Suction/Discharge)	27.30
2500300930	Not Shown	Union Package - Hose Adaptor & Slip Unions (Suction/Discharge)	50.00
2500300931	Not Shown	Union Package - Hose Adaptor (Suction/Discharge) & NPT Union (Suction Only)	34.20
2500300925	Not Shown	Union Package (1.5") - NPT/Hose (Suction/Discharge)	31.60
2921770007	Not Shown	Union Package (1.5") - Slip (Suction)	15.00
7300313002	Not Shown	Union Package (1.5") - Slip (Discharge)	16.60
7300313000	Not Shown	Union Package (2.0") - Slip (Discharge)	17.30
2921770001	Not Shown	Union Package (2.0") - Slip (Suction)	15.00

Go Kits For The Model E71

Order#	Drawing #	Description	List Price (\$)
SPK-E71-GOKIT	Not Shown	Seal GoKit*	28.30

Parts Below are Unique to the Model E71 Shipped Prior to 11/2016

Order#	Drawing #	Description	List Price (\$)
2901210700	107	Casing (**Pump Casing Insert Required)	21.60
2901111830	Not Shown	Pump Casing Insert (-I)	9.30