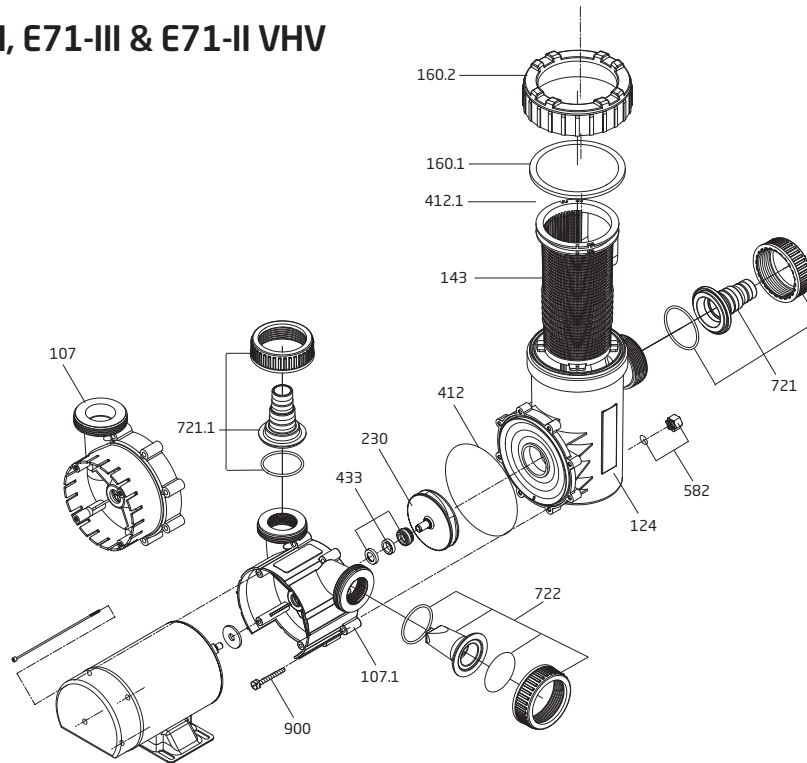


Model E71 Series



Above-Ground Swimming Pool Pump

Models: E71-I, E71-II, E71-III & E71-II VHV



Order#	Drawing #	Qty Required	Description
2901116010	160.1	1	Lid - Clear
2921116012B	Not Shown	1	Lid - Clear w/ LED Light
2901116020	160.2	1	Lid - Lock Ring
2901141201	412.1	1	O-ring - Lid 137 x 5mm
2901114300	143	1	Basket
2901158201	582	1	Drain Cap 3/8" w/ Gasket
2901141200	412	1	O-ring - Casing 144 x 4mm
2921923091	230	1	Impeller (-I) - 0.75 THP (1.0 HP SPL) 99 x 4.5mm
2921923043	230	1	Impeller (-II) - 1.0 THP (1.5 HP SPL) 98 x 9mm
2921923193	230	1	Impeller (-II VHV) - 1.1 THP 106 x 9mm w/ Insert
2921923193	230	1	Impeller (-III) - 1.5 THP (2.0 HP SPL) 106 x 9mm w/ Insert
2921606204	433	1	Mechanical Seal (5/8") - Carbon/Ceramic
2991000091	900	8	Screw - Casing (Hex/Washer/Slot) M7 x 48mm
2901172115	107.1	1	Casing - Dual Discharge
2901110100B	124	1	Strainer Tank
2901191600K	722	1	Plug Kit - Discharge Port ABS

Order#	Drawing #	Qty Required	Description
2901111840	Not Shown	1	Pump Casing Insert (-II)
2901111850	Not Shown	1	Pump Casing Insert (-III)

Union Packages

2901172114	721 & 721.1	1	Union Package - Hose Adaptor Kit (Suction/Discharge)
2500300930	Not Shown	1	Union Package - Hose Adaptor & Slip Unions (Suction/Discharge)
2500300931	Not Shown	1	Union Package - Hose Adaptor (Suction/Discharge) & NPT Union (Suction Only)
2500300925	Not Shown	1	Union Package (1.5") - NPT/Hose (Suction/Discharge)
2921770007	Not Shown	1	Union Package (1.5") - Slip (Suction)
7300313002	Not Shown	1	Union Package (1.5") - Slip (Discharge)
7300313000	Not Shown	1	Union Package (2.0") - Slip (Discharge)
2921770001	Not Shown	1	Union Package (2.0") - Slip (Suction)

Go Kits For The Model E71

SPK-E71-GOKIT	Not Shown	1	Seal GoKit*
---------------	-----------	---	-------------



* Please Note: That the Seal Go Kits includes the following items: Mechanical Seal (5/8"), & O-rings.

Parts Below are Unique to the Model E71 Shipped Prior to 11/2016

2901210700	107	1	Casing (**Pump Casing Insert Required)
2901111830	Not Shown	1	Pump Casing Insert (-I)