

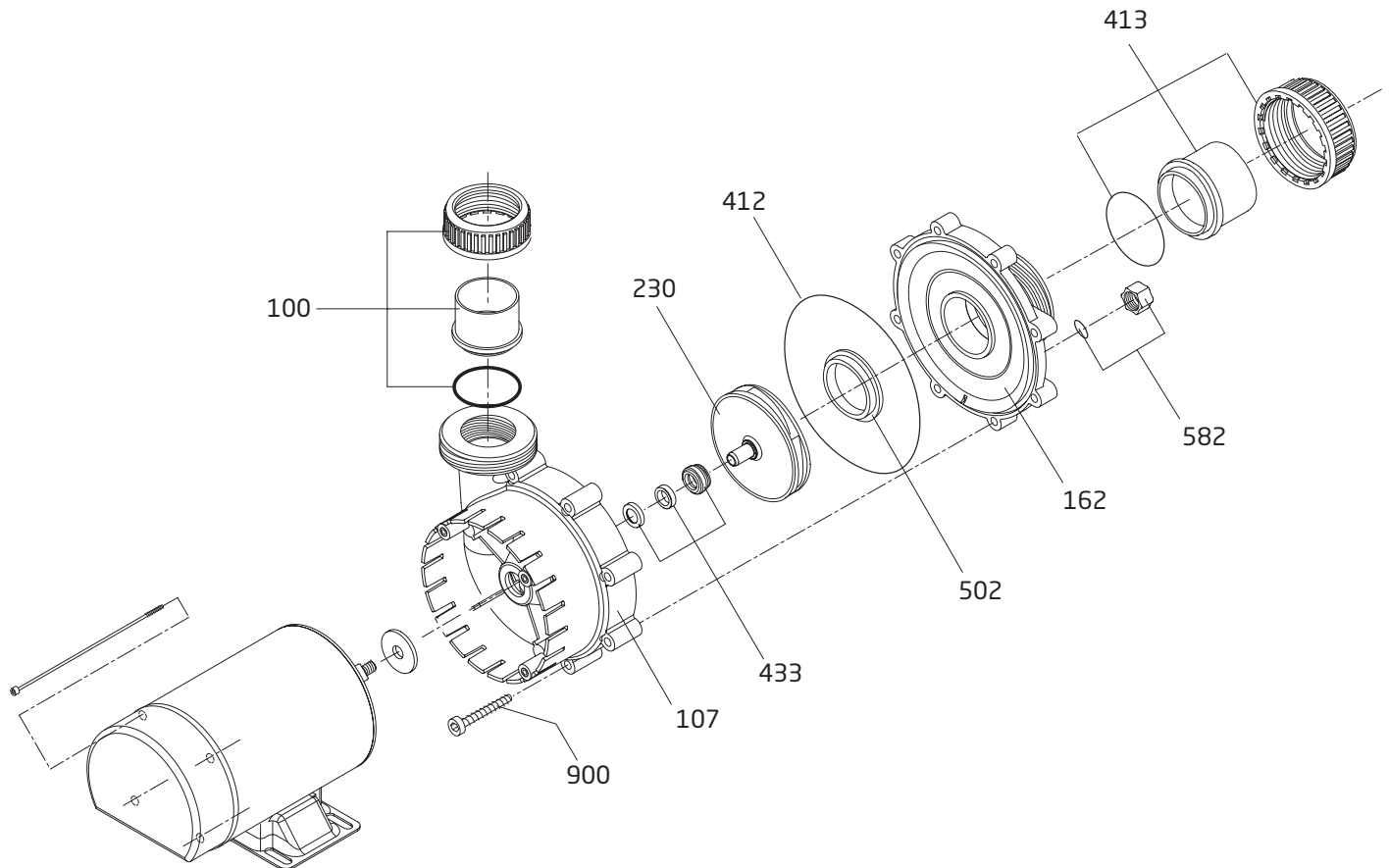
MODEL E75

Spa Pump



Order #	Drawing Number	Qty Required	Description	List Price
2901210700	107	1	CASING	\$ 20.60
2920750200	502	1	FLOATING EYE SEAL (WEAR RING)	8.10
2921770001	413	1	UNION WITH NUT AND O-RING (2.0") - SUCTION (-II, -III, -IV)	14.30
2921770007	413	1	UNION WITH NUT AND O-RING (1.5") - SUCTION (-I)	14.30
2991000091	900	8	SCREW - M7 x 48.4mm (3/8") HEX A2	4.40
2921606204	433	1	MECHANICAL SEAL (5/8") - CARBON/CERAMIC	15.20
7300313000	100	1	UNION WITH NUT AND O-RING (2.0") - DISCHARGE (-II, -III, -IV)	16.50
7300313001	100	1	UNION WITH NUT AND O-RING (1.5") - DISCHARGE (-I)	15.90
2901141200	412	1	O-RING - CASING 144 x 4mm	3.40
2901158200	582	1	DRAIN CAP 3/8" WITH GASKET - CASING	2.90
2901216108	162	1	CASING LID	14.80
2921923091	230	1	IMPELLER (-I) 0.75 THP (1.0 HP SPL) 99 / 4.5mm (3/8") 6V	54.40
2921923043	230	1	IMPELLER (-II) 1.0 THP (1.5 HP SPL) 98 / 9mm (3/8") 6V	54.40
2921923193	230	1	IMPELLER (-III) 1.5 THP (2.0 HP SPL) 106 / 9mm (3/8") 6V W/ INSERT	54.40
2921923094	230	1	IMPELLER (-IV) 2.0 THP (2.5 HP SPL) 111 / 9mm (3/8") 6V W/ INSERT	70.70
2500300917	100.1 & 413.1	1	UNION PACKAGE COMPLETE - 1.5"	30.20
2500300920	100 & 413	1	UNION PACKAGE COMPLETE - 2.0"	30.80

****SEE NEXT PAGE FOR REPLACEMENT MOTORS**



REPLACEMENT MOTORS



REPLACEMENT MOTORS FOR SPECK PUMP MODELS - E45, E75 & E71

Order #	MFR #	Model	THP	Specially Rated HP	S.F.	Volts	List Price
<u>SINGLE SPEED, 48 FRAME, SPLITPHASE MOTOR</u>							
S55CXRJC8049	EZBN24	-I	0.75	1.0	SPL	115	\$ 220.90
S55CXRJD8050	EZBN25	-II	1.0	1.5	SPL	115	248.10
C55CXKDD4853	EZBN35	-III	1.5	2.0	SPL	115/230	384.70
0818688700	BN40SS	-IV	2.0	2.5	SPL	115/230	470.30
<u>TWO SPEED, FLEX-48, 48 FRAME, CAP START MOTOR</u>							
S55CXRJE8051	EZBN36	-I	0.75	1.0	SPL	115	365.90
C55CXKDE4854	EZBN37	-II	1.0	1.5	SPL	115	377.30
C55CXKDF4855	EZBN50	-III	1.5	2.0	SPL	115	358.20
0818247700	BN51	-IV	2.0	2.5	SPL	230	612.00
<u>VARIABLE SPEED, 48 FRAME, PERMANENT MAGNET TEFC MOTOR</u>							
ECPM750011		-II	1.1			115-230	739.50

All motors have a 3/8" thread stainless steel shaft

Important Notice:

Replacement motors offered for sale, or installed in a residential pool for filtration use in California must be listed on the California Energy Commission website. (Title 20, sections 1601-1609) Please consult the CEC list, search company, Speck Pumps.