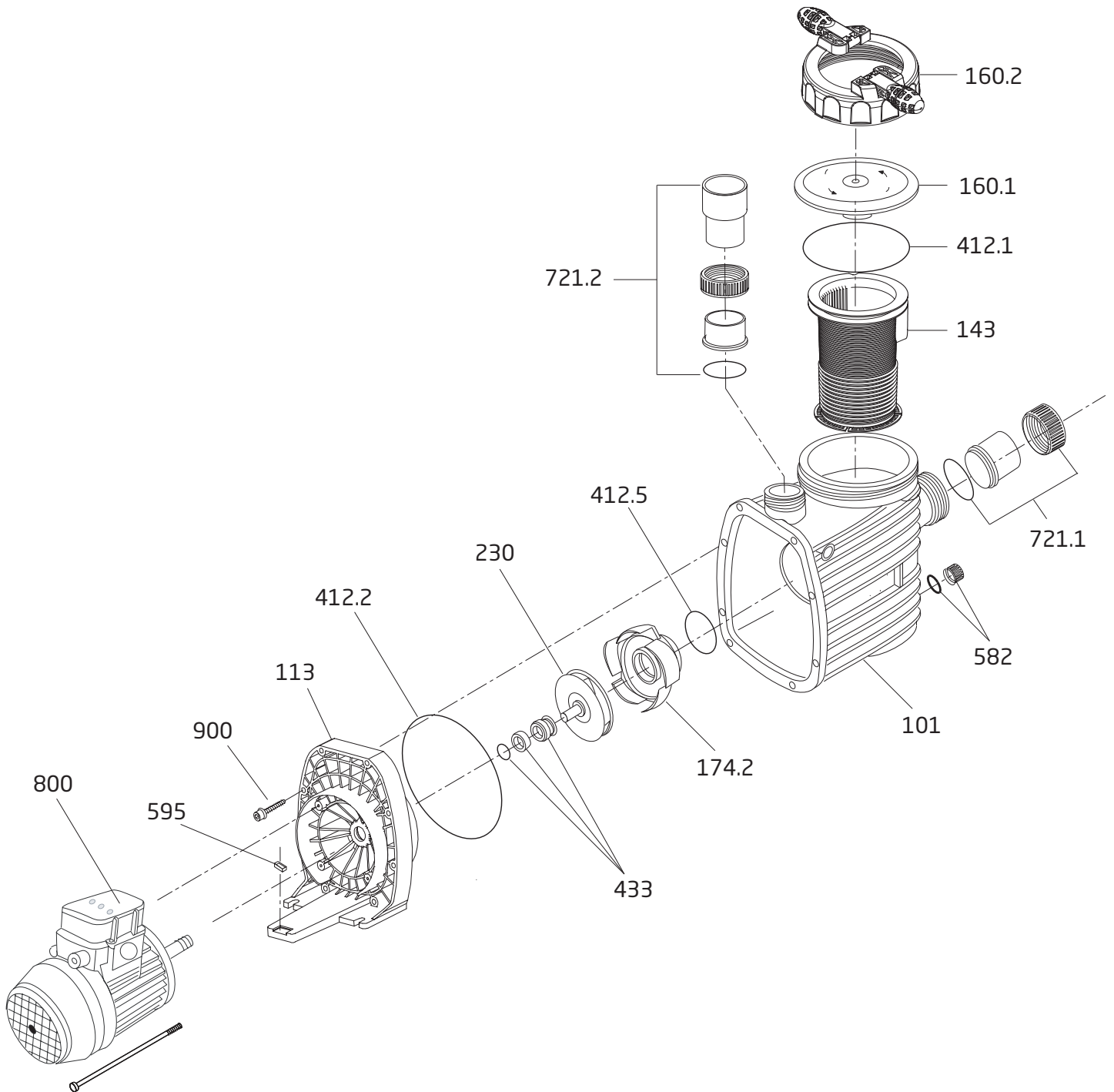


MODEL ES90-II VSP

Dual Voltage Variable Speed
Swimming Pool Pump



MODEL ES90-II VSP



Dual Voltage Variable Speed
Swimming Pool Pump

Order #	Drawing Number	Qty Required	Description	List Price
2901116010	160.1	1	LID - CLEAR	\$ 20.30
2921116012B	NOT SHOWN	1	LID - CLEAR WITH LED LIGHT	44.60
2921116022	160.2	1	LOCK RING WITH HANDLES - LID	37.20
2921141210	412.1	1	O-RING - LID 137 x 5mm	5.30
2901114300	143	1	BASKET - ONE PIECE	17.60
2921110130	101	1	CASING	183.00
2901158200	582	1	DRAIN CAP 3/8" WITH GASKET - CASING	2.90
2920889410	894.1	3	LEGO SPACER	0.60
2991000091	900	8	SCREW - CASING HEX/SLOT M7 x 48mm SS	4.40
2920141210	412.5	1	O-RING - DIFFUSER 90 x 5mm	3.50
2921117412	174.2	1	DIFFUSER	50.40
2921223040	230	1	IMPELLER (-II VSP) 1.1 THP 115 / 9mm (3/8") 6V	54.40
2921606204	433	1	MECHANICAL SEAL (5/8") - CARBON/CERAMIC	15.20
2921141222	412.2	1	O-RING - CASING 190 x 6mm	10.60
2921116112	113	1	FLANGE/SEAL HOUSING	129.50
2921770005	721.1	1	SET - SUCTION UNION COMPLETE	14.30
2500300902	721.2	1	SET - DISCHARGE UNION COMPLETE	33.90
2500300914	721.1 & 721.2	1	SET - SUCTION/DISCHARGE UNION COMPLETE	48.20
ECPM750011	800	1	MOTOR - VARIABLE SPEED 1.1 THP	739.50

Go Kits For The Model ES90 Series

SPK-ES90-GOKIT	KIT INCLUDES THE FOLLOWING PARTS:	39.80
----------------	-----------------------------------	-------



- 2921141210 - O-RING LID 137 x 5mm
- 2920141210 - O-RING DIFFUSER 90 x 5mm
- 2921606204 - MECHANICAL SEAL (5/8") CARBON/CERAMIC
- 2921141222 - O-RING CASING 190 x 6mm
- 2920241220 - O-RING UNION 50 x 3mm
- 2901141211 - O-RING UNION 68 x 3.5mm