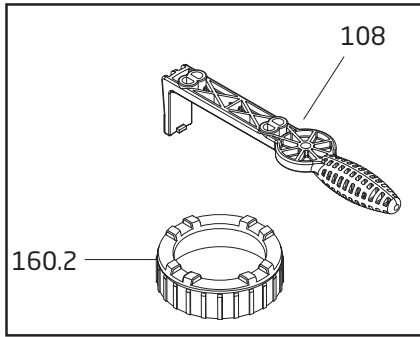


MODEL ES90 Series

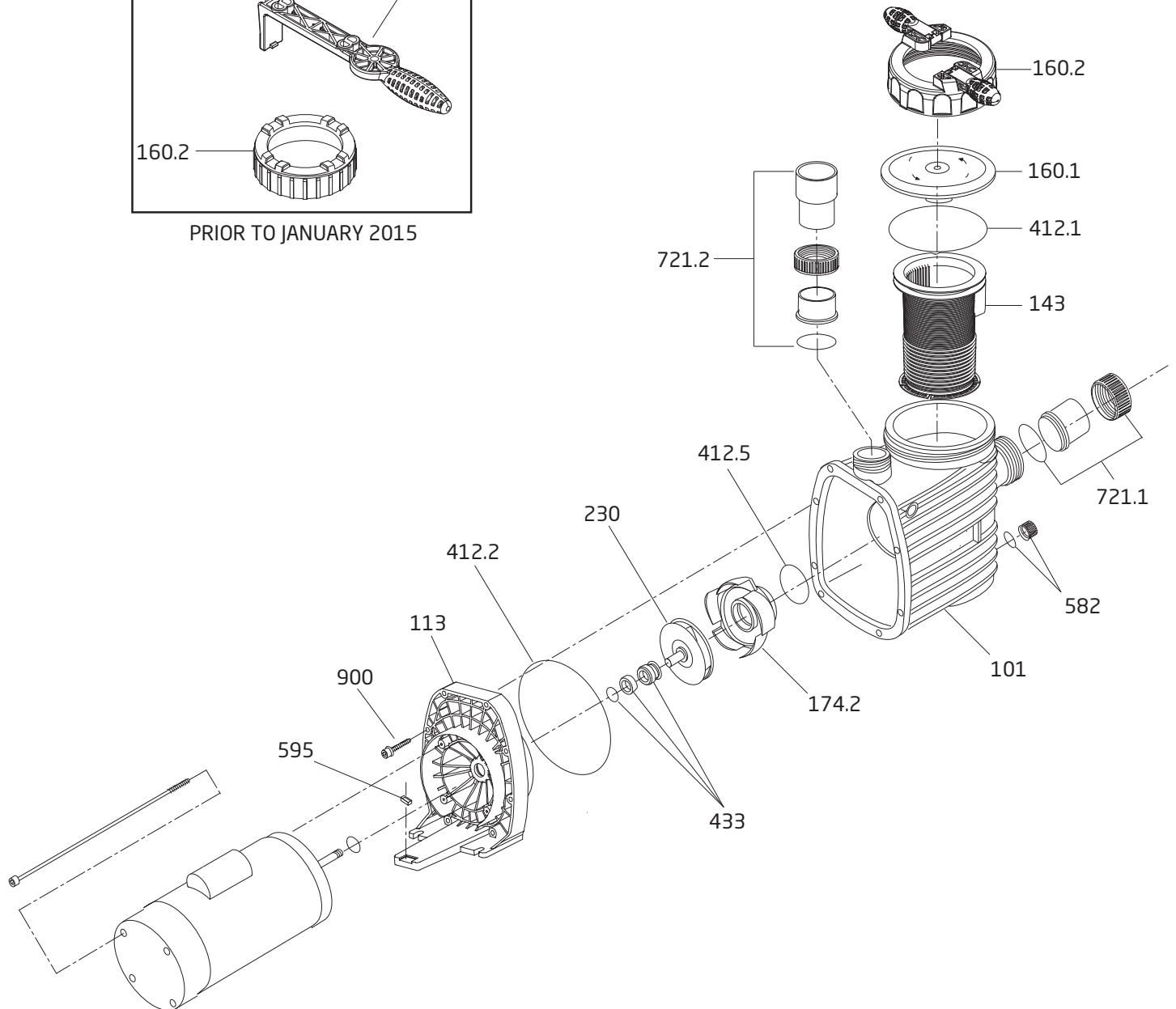
Swimming Pool Pump



Model ES90-I, ES90-II, ES90-III, ES90-IV & ES90-II VSP



PRIOR TO JANUARY 2015



MODEL ES90 Series

Swimming Pool Pump



Model ES90-I, ES90-II, ES90-III, ES90-IV & ES90-II VSP

Order #	Drawing Number	Qty Required	Description	List Price
2901116010	160.1	1	LID - CLEAR	\$ 20.30
2921116012B	NOT SHOWN	1	LID - CLEAR WITH LED LIGHT	44.60
2921116022	160.2	1	LOCK RING WITH HANDLES - LID	37.20
2921141210	412.1	1	O-RING - LID 137 x 5mm	5.30
2901114300	143	1	BASKET - ONE PIECE	17.60
2921110130	101	1	CASING	183.00
2901158200	582	1	DRAIN CAP 3/8" WITH GASKET - CASING	2.90
2920889410	894.1	3	LEGO SPACER	0.60
2991000091	900	8	SCREW - CASING HEX/SLOT M7 x 48mm SS	4.40
2920141210	412.5	1	O-RING - DIFFUSER 90 x 5mm	3.50
2921117412	174.2	1	DIFFUSER	50.40
2921923091	230	1	IMPELLER (-I) 0.75 HP S.F. 1.0 99 / 4.5mm (3/8") 6V	54.40
2921923043	230	1	IMPELLER (-II) 1.0 HP S.F. 1.0 98 / 9mm (3/8") 6V	54.40
2921223040	230	1	IMPELLER (-II VSP) 1.1 THP 115 / 9mm (3/8") 6V	54.40
2921923193	230	1	IMPELLER (-III) 1.5 HP S.F. 1.0 106 / 9mm (3/8") 6V w/INSERT	54.40
2921923094	230	1	IMPELLER (-IV) 2.0 HP S.F. 1.0 111 / 9mm (3/8") 6V w/INSERT	70.70
2921606204	433	1	MECHANICAL SEAL (5/8") - CARBON/CERAMIC	15.20
2921141222	412.2	1	O-RING - CASING 190 x 6mm	10.60
2921116112	113	1	FLANGE/SEAL HOUSING	129.50
2921770005	721.1	1	SET - SUCTION UNION COMPLETE	14.30
2500300902	721.2	1	SET - DISCHARGE UNION COMPLETE	33.90
2500300914	721.1 & 721.2	1	SET - SUCTION/DISCHARGE UNION COMPLETE	48.20

Parts Below Are Unique To The Model ES90 Shipped Prior To January, 2015

2901116020	160.2	1	LOCK RING - LID	21.90
2921157700	108	1	SPANNER - LID (OPTIONAL PART)	14.30

Go Kits For The Model ES90 Series

SPK-ES90-GOKIT	KIT INCLUDES THE FOLLOWING PARTS:			39.80
	2921141210 - O-RING LID 137 x 5mm			
	2920141210 - O-RING DIFFUSER 90 x 5mm			
	2921606204 - MECHANICAL SEAL (5/8") CARBON/CERAMIC			
	2921141222 - O-RING CASING 190 x 6mm			
	2920241220 - O-RING UNION 50 x 3mm			
	2901141211 - O-RING UNION 68 x 3.5mm			

****SEE NEXT PAGE FOR REPLACEMENT MOTORS**

REPLACEMENT MOTORS



REPLACEMENT MOTORS FOR SPECK PUMP MODELS - ES90

Order #	MFR #	Model	THP	Specially Rated HP	S.F.	Volts	List Price
<i>SINGLE SPEED, 48 FRAME, PSC MOTOR, "ENERGY EFFICIENT" (WITHOUT BASE)</i>							
K055RMD2237	K55JXRMD-2237	-I	0.75			230/115	\$ 364.70
K055RME2238	K55JXRME-2238	-II	1.0			230/115	379.20
K055RMF2239	K55MWRMF-2239	-III	1.5			230/115	461.00
K055RMG2240	K55SWRMG-2240	-IV	2.0			230	517.00
<i>VARIABLE SPEED, 48 Frame, 3/8" Threaded Stainless Steel Shaft, 50/60Hz Motor</i>							
ECPM750011		-II	1.1			115-230	739.50

All motors have a 3/8" thread stainless steel shaft

Important Notice:

Replacement motors offered for sale, or installed in a residential pool for filtration use in California must be listed on the California Energy Commission website. (Title 20, sections 1601-1609) Please consult the CEC list, search company, Speck Pumps.