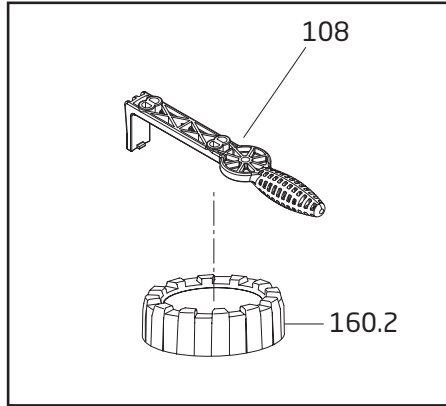
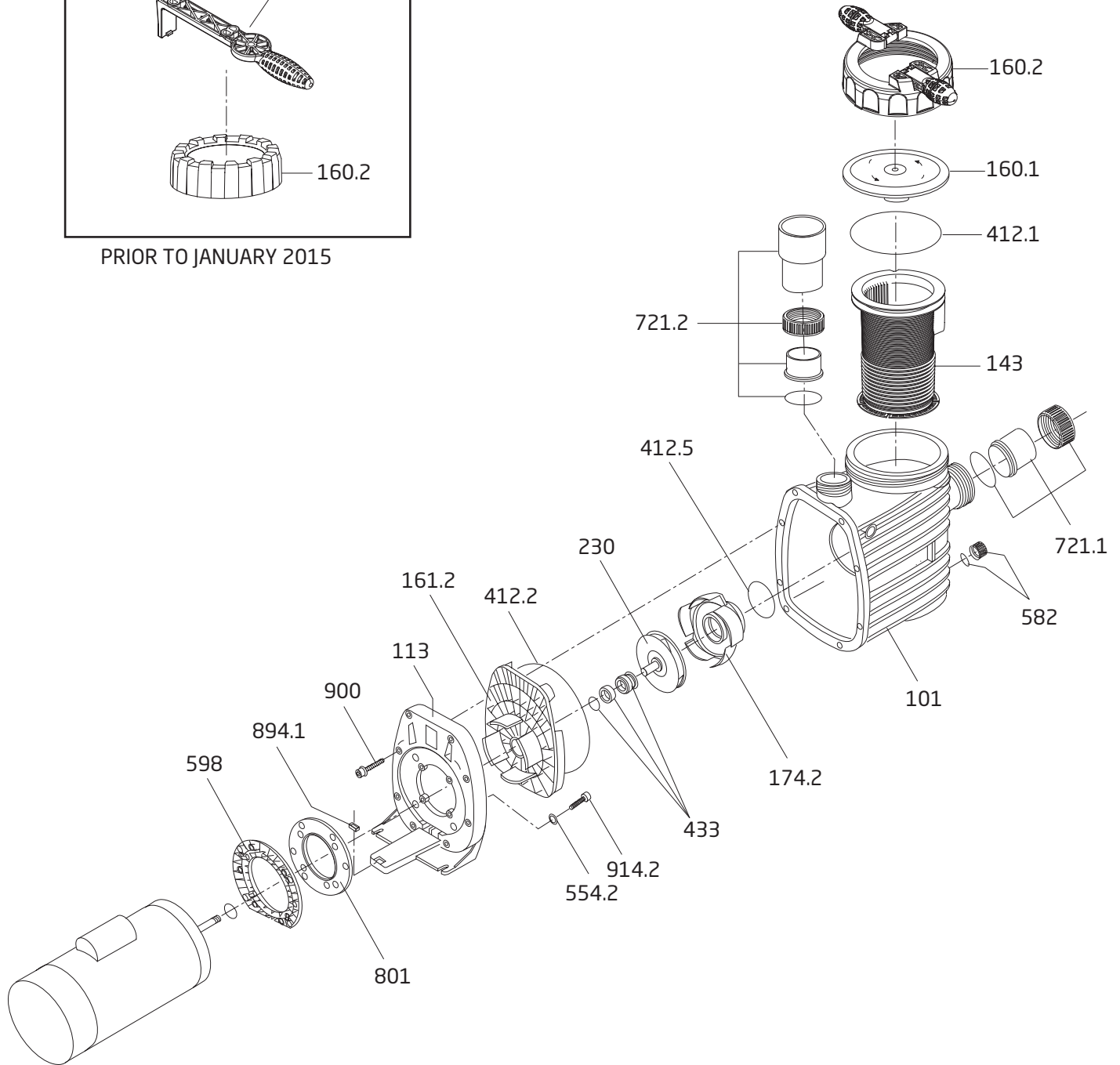


MODEL S90

Swimming Pool Pump



PRIOR TO JANUARY 2015



MODEL S90

Swimming Pool Pump



| Order # | Drawing Number | Qty Required | Description | List Price |
|-------------|----------------|--------------|--|------------|
| 2901116010 | 160.1 | 1 | LID - CLEAR | \$ 20.30 |
| 2921116012B | NOT SHOWN | 1 | LID - CLEAR WITH LED LIGHT | 44.60 |
| 2921116022 | 160.2 | 1 | LOCK RING WITH HANDLES - LID | 37.20 |
| 2921141210 | 412.1 | 1 | O-RING - LID 137 x 5mm | 5.30 |
| 2901114300 | 143 | 1 | BASKET - ONE PIECE | 17.60 |
| 2921110130 | 101 | 1 | CASING | 183.00 |
| 2901158200 | 582 | 1 | DRAIN CAP 3/8" WITH GASKET - CASING | 2.90 |
| 2920889410 | 894.1 | 1 | LEGO SPACER | 0.60 |
| 2991000091 | 900 | 8 | SCREW - CASING HEX/SLOT M7 x 48mm SS | 4.40 |
| 2920141210 | 412.5 | 1 | O-RING - DIFFUSER 90 x 5mm | 3.50 |
| 2921117412 | 174.2 | 1 | DIFFUSER | 50.40 |
| 2920223089 | 230 | 1 | IMPELLER (-I) 0.75 HP S.F. 1.0 104/3.5mm | 78.30 |
| 2920223090 | 230 | 1 | IMPELLER (-II) 1.0 HP S.F. 1.0 101/9.0mm | 78.30 |
| 2920223091 | 230 | 1 | IMPELLER (-III) 1.5 HP S.F. 1.0 106/9.0mm | 78.30 |
| 2920223092 | 230 | 1 | IMPELLER (-IV) 2.0 HP S.F. 1.0 114/9.0mm | 78.30 |
| 2920343310 | 433 | 1 | MECHANICAL SEAL (20mm) COMPLETE | 57.70 |
| 2921141222 | 412.2 | 1 | O-RING - CASING 190 x 6mm | 10.60 |
| 2920216110 | 801 | 1 | INTERMEDIATE FLANGE | 9.10 |
| 2921116110 | 161.2 | 1 | SEAL HOUSING | 33.90 |
| 2921111300 | 113 | 1 | FLANGE | 42.70 |
| 2920110200 | 598 | 1 | MOTOR FLANGE - 56 FRAME | 15.40 |
| 2991400029 | 914.2 | 4 | BOLT - MOTOR (3/8-16 x 2.25") | 2.90 |
| 2991400035 | 554.2 | 4 | WASHER - MOTOR BOLT (3/8") SS | 0.70 |
| 2921770005 | 721.1 | 1 | SET - SUCTION UNION COMPLETE | 14.30 |
| 2500300902 | 721.2 | 1 | SET - DISCHARGE UNION COMPLETE | 33.90 |
| 2500300914 | 721.1 & 721.2 | 1 | COMPLETE UNION PACKAGE - SUCTION/DISCHARGE | 48.20 |

Parts Below Are Unique To The Model S90 Shipped Prior To January, 2015

| | | | | |
|------------|-------|---|-------------------------------|-------|
| 2901116020 | 160.2 | 1 | LOCK RING - LID | 21.90 |
| 2921157700 | 108 | 1 | SPANNER - LID (OPTIONAL PART) | 14.30 |

Go Kits For The Model S90

| | | | | |
|---------------|---|-----------------------------------|---|-------|
| SPK-S90-GOKIT | 1 | KIT INCLUDES THE FOLLOWING PARTS: | | 80.00 |
| | | | 2921141210 - O-RING LID 137 x 5mm | |
| | | | 2920141210 - O-RING DIFFUSER 90 x 5mm | |
| | | | 2920343310 - MECHANICAL SEAL (20mm) CPL | |
| | | | 2921141222 - O-RING CASING 190 x 6mm | |
| | | | 2920241220 - O-RING UNION 50 x 3mm | |
| | | | 2901141211 - O-RING UNION 68 x 3.5mm | |



****SEE NEXT PAGE FOR REPLACEMENT MOTORS**

REPLACEMENT MOTORS



REPLACEMENT MOTORS FOR SPECK PUMP MODELS - BADU SUPERPRO, EASYFIT, S90, 433, 72, & 98

| Order # | MFR # | Model | THP | HP | S.F. | Volts | Frame | List Price |
|--|----------|-------|---------------|------|------|-------------|-------|------------|
| <i>SINGLE SPEED, Standard Efficient Max Rated, 56 Frame, C-Face, 7/16" Threaded Shaft</i> | | | | | | | | |
| K63JXEAT5224 | EB227 | -I | 0.98 | 0.75 | 1.25 | 115/230 | 56 | \$ 358.80 |
| K63CXEAU5225 | EB228 | -II | 1.25 | 1.0 | 1.25 | 115/230 | 56 | 376.80 |
| K63CXEAV5226 | EB229 | -III | 1.65 | 1.5 | 1.10 | 115/230 | 56 | 417.40 |
| K63CXEAW5227 | EB230 | -IV | 2.25 | 2.0 | 1.10 | 115/230 | 56 | 459.80 |
| <i>TWO SPEED, Premium Energy Efficient, 56 Frame, C-Face, 7/16" Threaded Shaft</i> | | | | | | | | |
| B63GZABR1036 | ASB2973H | -II | 1.25 | 0.75 | 1.67 | 230 | 56 | 583.70 |
| B63GZABS1037 | ASB2975 | -III | 1.65 | 1.0 | 1.65 | 230 | 56 | 597.30 |
| B63GZABT1038 | ASB2977 | -IV | 2.25 | 1.5 | 1.47 | 230 | 56 | 645.60 |
| B63GZABU1039 | ASB2979 | -V | 2.60 | 2.0 | 1.30 | 230 | 56 | 817.40 |
| <i>SINGLE SPEED, Premium Energy Efficient, 56 Frame, C-Face, 7/16" Threaded Shaft</i> | | | | | | | | |
| K63CXDGF5167 | ASB657 | -I | 0.98 | 0.5 | 1.95 | 208-230/115 | 56J | 374.70 |
| K63CXDGG5168 | ASB638 | -II | 1.25 | 0.75 | 1.67 | 208-230/115 | 56J | 402.40 |
| K63CXDGH5169 | ASB654 | -III | 1.65 | 1.0 | 1.65 | 208-230/115 | 56J | 456.20 |
| K63CXDGJ5170 | ASB796 | -IV | 2.25 | 1.5 | 1.50 | 208-230/115 | 56J | 636.10 |
| K63CXDGK5171 | ASB809 | -V | 2.60 | 2.0 | 1.30 | 208-230 | 56J | 767.40 |
| K63CXDGL5172 | ASB818 | -VI | 3.45 | 3.0 | 1.15 | 208-230 | 56J | 945.70 |
| <i>THREE PHASE, 56 Frame, C-Face, 7/16" Threaded Shaft, 50/60Hz Motor</i> | | | | | | | | |
| P63GER4521 | EH282 | -I | 0.80 | 0.50 | 1.60 | 208-230/460 | 56J | 385.60 |
| P63GES4522 | EH451 | -II | 1.125 | 0.75 | 1.50 | 208-230/460 | 56J | 459.50 |
| P63GET4523 | EH514 | -III | 1.40 | 1.0 | 1.40 | 208-230/460 | 56J | 522.50 |
| P63GEW4524 | EH617 | -IV | 1.95 | 1.5 | 1.30 | 208-230/460 | 56J | 678.60 |
| P63GEY4525 | EH705 | -V | 2.40 | 2.0 | 1.20 | 208-230/460 | 56J | 752.80 |
| P63GEZ4526 | EH741 | -VI | 3.45 | 3.0 | 1.15 | 208-230/460 | 56J | 900.70 |
| <i>VARIABLE SPEED, 56 Frame, C-Face, 7/16" Threaded Shaft, 50/60Hz Motor</i> | | | | | | | | |
| M48AA85A01 | | -III | 1.65 | | | 208-230 | 56 | 801.80 |
| M48AA69D29 | | -V | 2.7 | | | 230 | 56 | 1,401.50 |
| M48AA91D29 | | -VI | 2.7 (w/ SVRS) | | | 230 | 56 | 1,576.60 |

Important Notice:

Replacement motors offered for sale, or installed in a residential pool for filtration use in California must be listed on the California Energy Commission website. (Title 20, sections 1601-1609) Please consult the CEC list, search company, Speck Pumps.