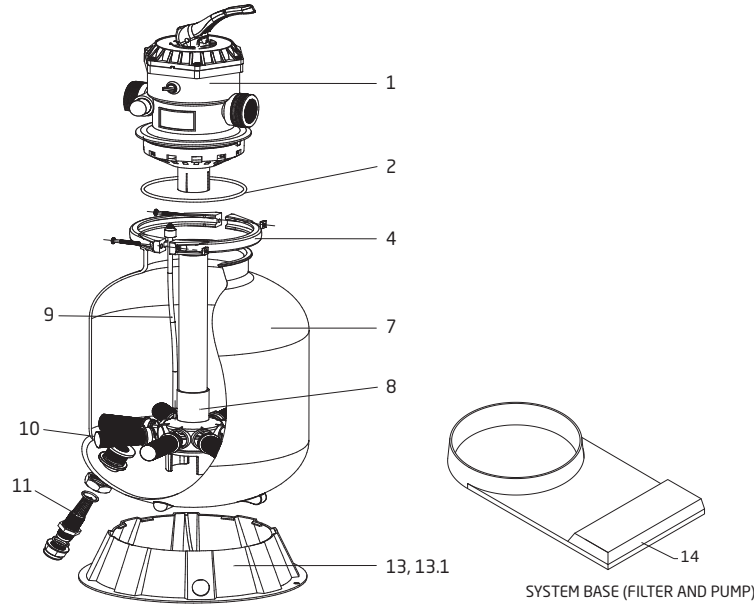


# Sand Filter

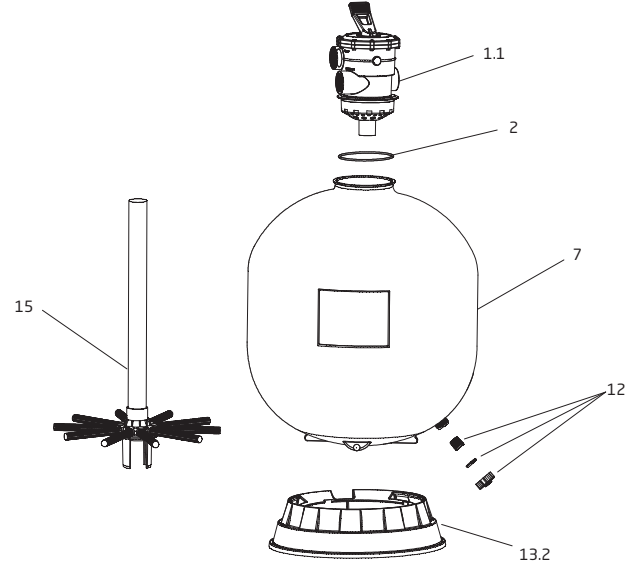
Sand Filter - 16", 19", 24" & 31"



## Models: 16", 19" & 24"



## Model: 31"



Order#	Drawing #	Description	List Price (\$)
647304071000	1	1.5" Multiport Valve 6-way CPL - (16", 19", 24")	147.10
647309071000	1.1	2" Multiport Valve 6-way CPL - (24", 31")	338.20
654310120800	2	O-ring - Tank - (16", 19", 24", 31")	39.10
647304072000	4	Flange V Clamp Assembly - (16", 19", 24", 31")	54.00
647304008000	7	Tank - (16")	TBD
647305008000	7	Tank - (19")	TBD
647306008000	7	Tank - (24")	TBD
647308072000	12, 13.2, 14, 15	Tank CPL w/ Base, Drain Plug, & Lateral Assembly - (31")	TBD
647304079000	8	Hub w/ Standpipe - (16")	77.50
647305071000	8	Hub w/ Standpipe - (19")	83.90
647306072000	8	Hub w/ Standpipe - (24", 1.5" Valve)	91.00
647309078000	Not Shown	Folding Lateral Assembly w/ Standpipe - (24", 2" Valve)	184.60
647308071000	15	Folding Lateral Assembly w/ Standpipe - (31", 2" Valve)	201.30
647304172000	9	Air Release Assembly - (16")	21.40

Order#	Drawing #	Description	List Price (\$)
647305173000	9	Air Release Assembly - (19")	27.60
647306173000	9	Air Release Assembly - (24", 1.5" Valve)	27.60
647304017000	10	Lateral - (16", 19") (x8)	21.30
647306016000	10	Lateral - (24", 1.5" Valve) (x8)	23.90
647304073000	11	Drain Plug Assembly CPL - (16", 19", 24")	35.70
702038000000	Not Shown	Drain Plug w/ Gasket - (16", 19", 24")	12.70
647309074000	12	Drain Plug Assembly CPL - (31")	25.20
647309073000	Not Shown	Drain Plug w/ Gasket - (31")	TBD
647304009000	13	Pedestal Base - (16")	50.80
647305009000	13.1	Pedestal Base - (19", 24")	60.20
647309010000	13.2	Pedestal Base - (31")	182.30
647202701000	14	Filter & Pump System Base - (16" 19", 24")	70.90
972020000000	Not Shown	Pressure Gauge - (16", 19", 24")	14.80